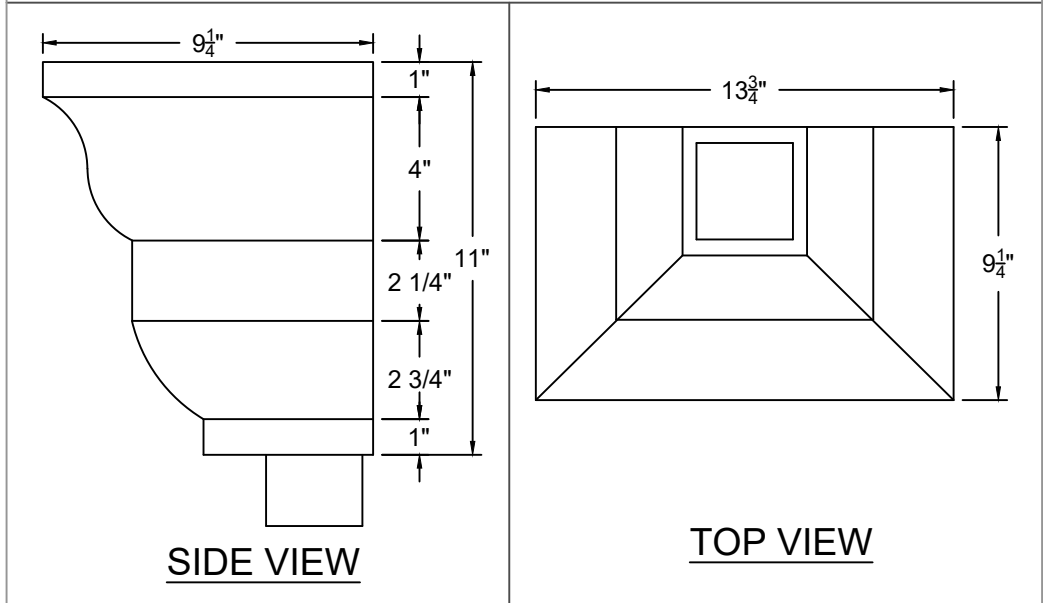
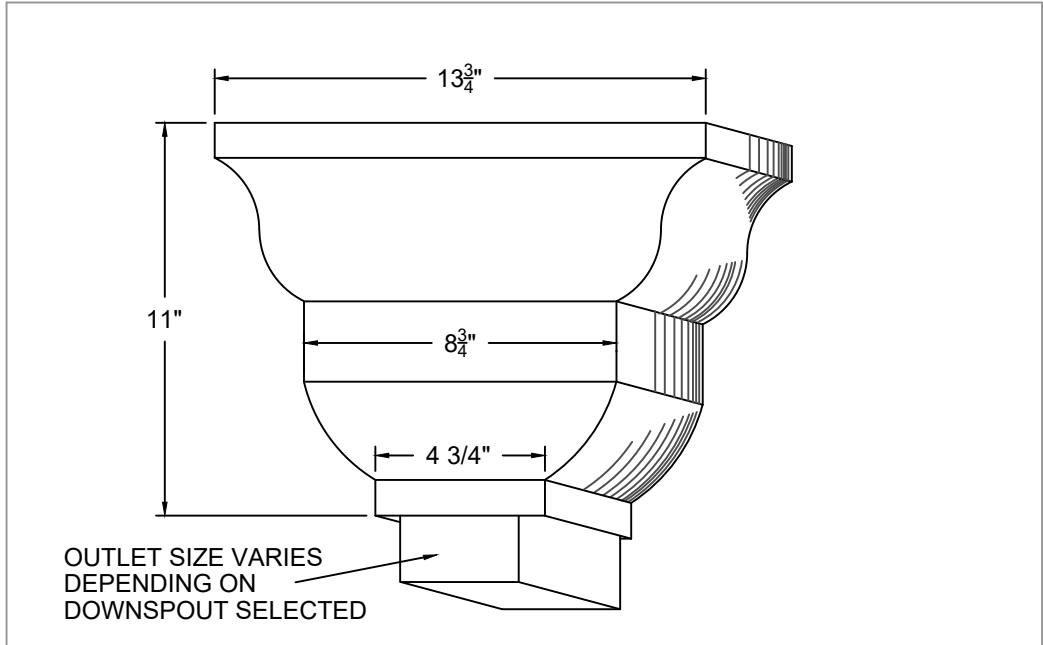


CONDUCTOR HEADS THE ESSEX



AVAILABLE MATERIALS:

COPPER FREEDOM GRAY COPPER PAINT GRIP STEEL PREWEATHERED ZINC
 PREFINISHED ALUMINUM/ STEEL GALVANIZED

REV. '24