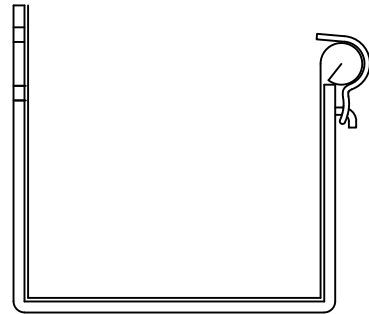
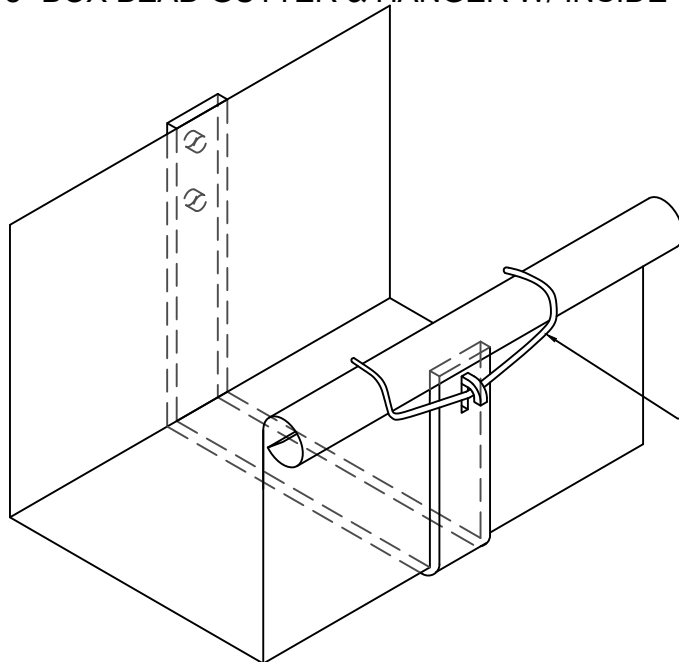


# BOX BEAD/ ROLLED BOX BEAD GUTTER ISOMETRIC DRAWINGS OF HANGERS

## 5" - 8" BOX BEAD GUTTER & HANGER W/ INSIDE STRAP



AVAILABLE W/ SPRING CLIP  
OR MACHINE BOLT

\*\*GUTTER PROFILE AVAILABLE IN STANDING SEAM AND HI-BACK.

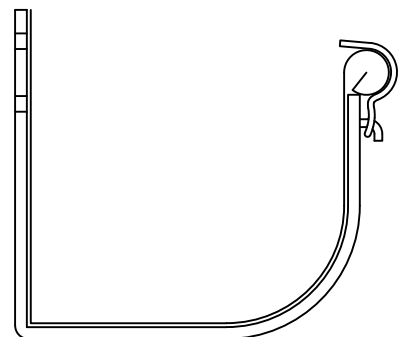
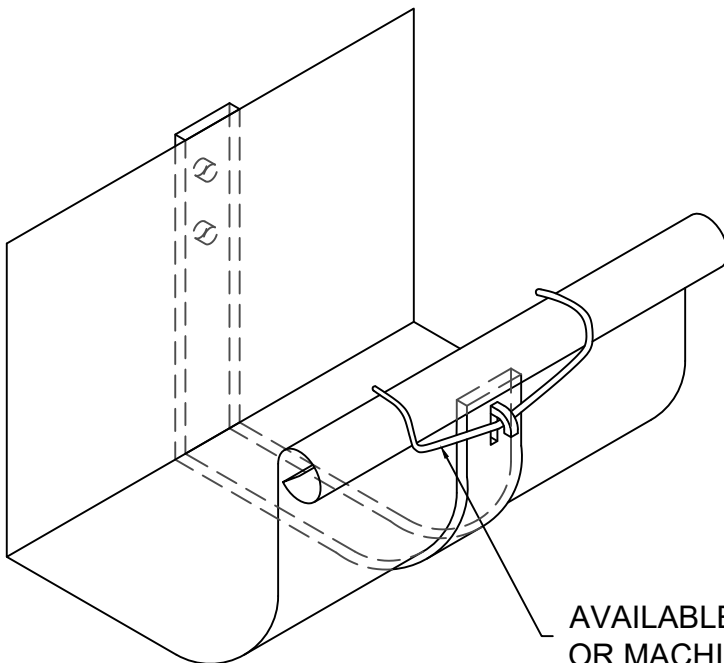
### HANGER SPECIFICATIONS

#### AVAILABLE MATERIALS

	Aluminum	Copper	Tin Coated Copper	Galvaneal	Galvanized
3/16" X 1" Hanger	●	●	●		
.063" X 1" Strap	●	●	●		
12 ga X 1" Hanger				●	●
20 ga X 1" Strap				●	●

\* STRAP INCLUDED W/ 7" + HANGERS

## 5" - 8" ROLLED BOX BEAD GUTTER & HANGER W/ INSIDE STRAP



AVAILABLE W/ SPRING CLIP  
OR MACHINE BOLT

\*\*GUTTER PROFILE AVAILABLE IN STANDING SEAM AND HI-BACK.

REV. '24