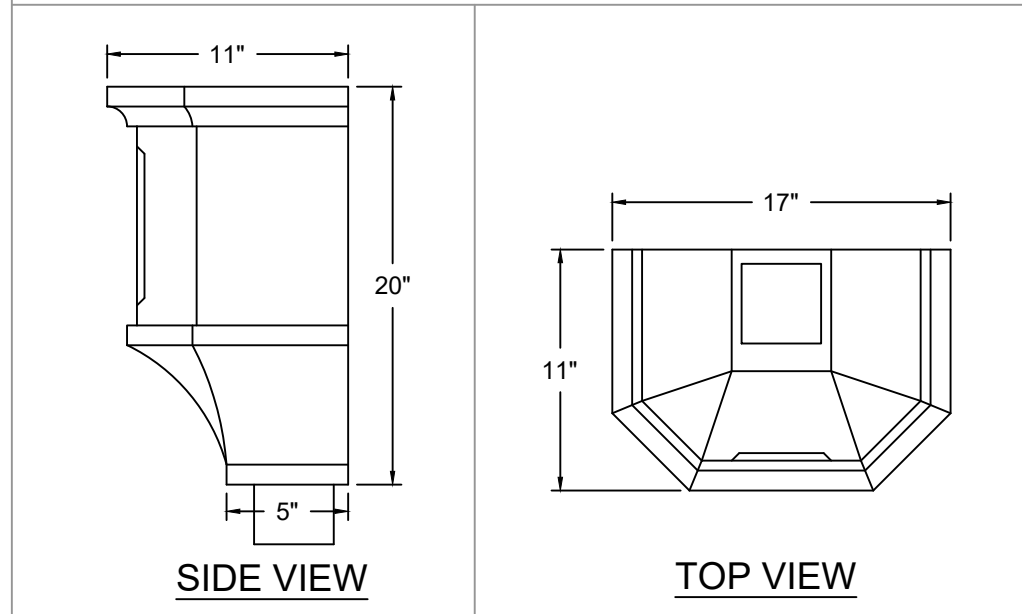
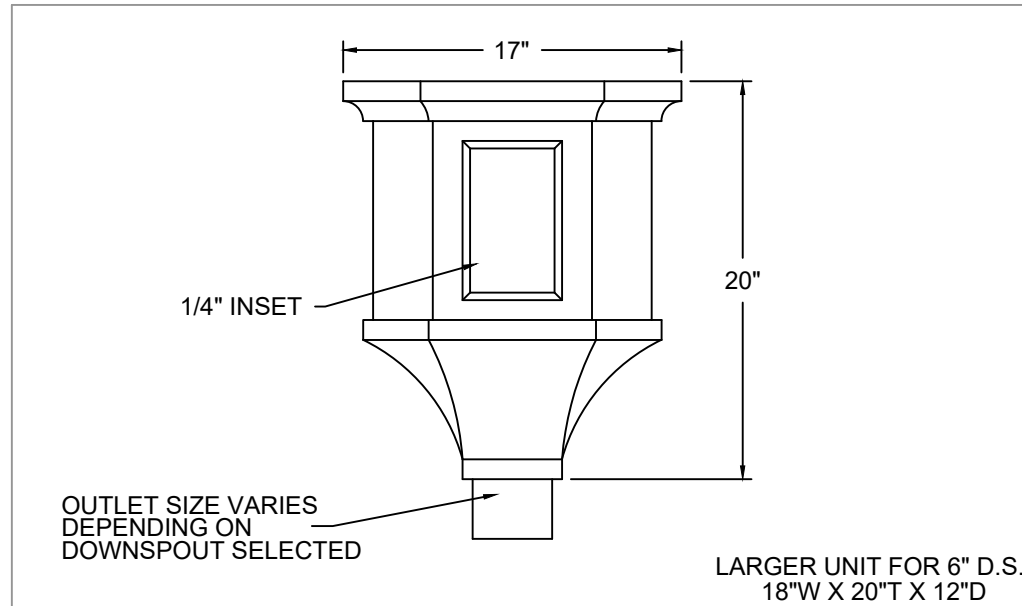


# CONDUCTOR HEADS THE BARON



AVAILABLE MATERIALS:

COPPER      FREEDOM GRAY COPPER  
MILL FINISHED ALUMINUM

PAINT GRIP STEEL      PREWEATHERED ZINC  
GALVANIZED

REV. '24