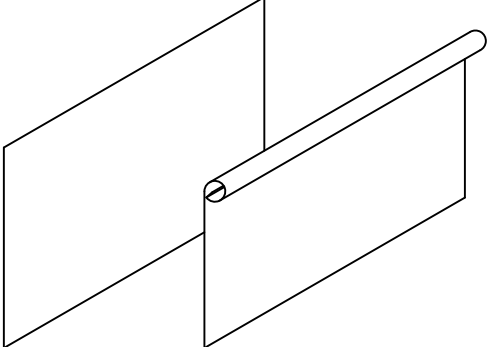
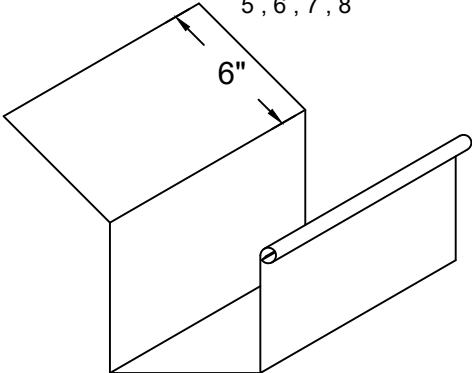
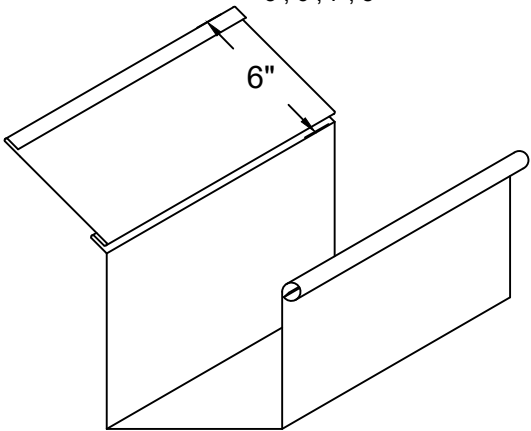
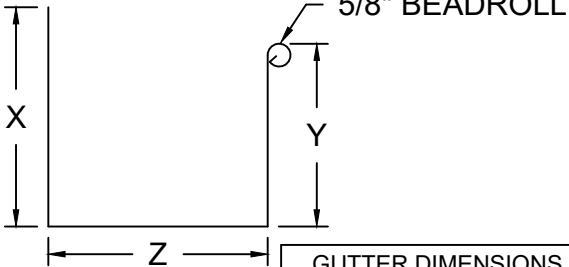
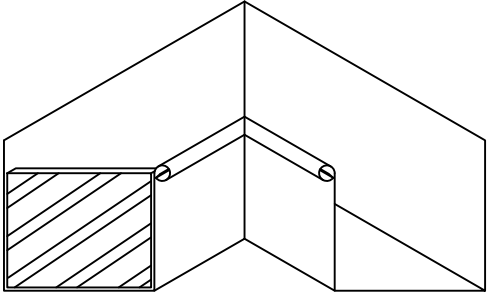
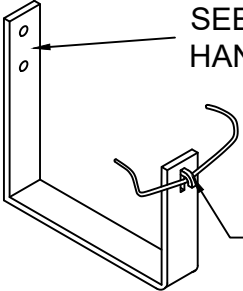


BOX BEAD GUTTERS

<p>BOX BEAD - STANDARD 5", 6", 7", 8"</p> 	<p>BOX BEAD - HIGH BACK * 5", 6", 7", 8"</p> 																								
<p>BOX BEAD FOR STANDING SEAM * 5", 6", 7", 8"</p> 	<p>5/8" BEADROLL</p>  <table border="1" data-bbox="1058 974 1429 1184"> <thead> <tr> <th colspan="4">GUTTER DIMENSIONS</th> </tr> <tr> <th></th> <th>X</th> <th>Y</th> <th>Z</th> </tr> </thead> <tbody> <tr> <td>5"</td> <td>5"</td> <td>4.5"</td> <td>5"</td> </tr> <tr> <td>6"</td> <td>6"</td> <td>5.5"</td> <td>6"</td> </tr> <tr> <td>7"</td> <td>7"</td> <td>6.5"</td> <td>7"</td> </tr> <tr> <td>8"</td> <td>8"</td> <td>7.5"</td> <td>8"</td> </tr> </tbody> </table>	GUTTER DIMENSIONS					X	Y	Z	5"	5"	4.5"	5"	6"	6"	5.5"	6"	7"	7"	6.5"	7"	8"	8"	7.5"	8"
GUTTER DIMENSIONS																									
	X	Y	Z																						
5"	5"	4.5"	5"																						
6"	6"	5.5"	6"																						
7"	7"	6.5"	7"																						
8"	8"	7.5"	8"																						
<p>INSIDE/ OUTSIDE MITERS - ENDCAPS 5", 6", 7", 8"</p> 	<p>STANDARD FACE MOUNT HANGER 5", 6", 7", 8"</p> <p>SEE 5-10 FOR HANGER SPECS.</p>  <p>AVAILABLE W/ 10/24 MACHINE BOLT OR SPRING CLIP</p>																								
<p>AVAILABLE MATERIALS</p> <p>COPPER GALVANIZED PAINT GRIP STEEL FREEDOM GRAY COPPER</p> <p>PREFINISHED ALUMINUM/ STEEL GALVALUME PREWEATHERED ZINC</p> <p style="text-align: right;">REV. '24</p>																									

* SPECIFY ROOF PITCH
 ALL BOX BEAD GUTTER ITEMS IN 10 FOOT LENGTHS.
 IN AREAS SUBJECT TO SNOW SLIDE, COORDINATE THE FRONT EDGE ELEVATION OF GUTTERS WITH ROOF SLOPE LINE.