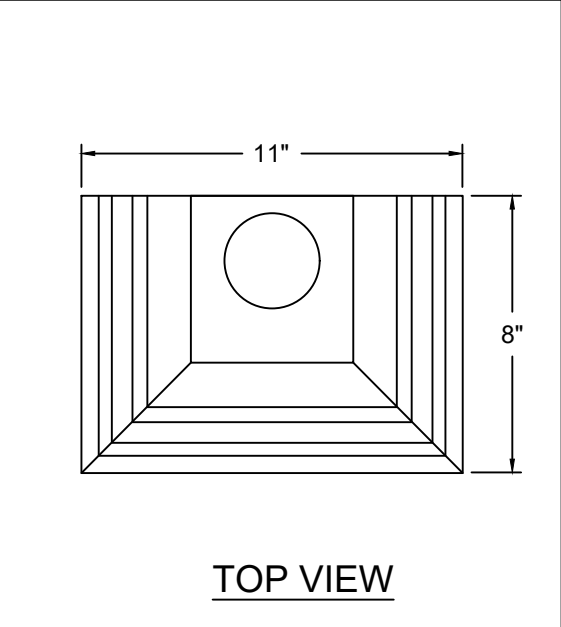
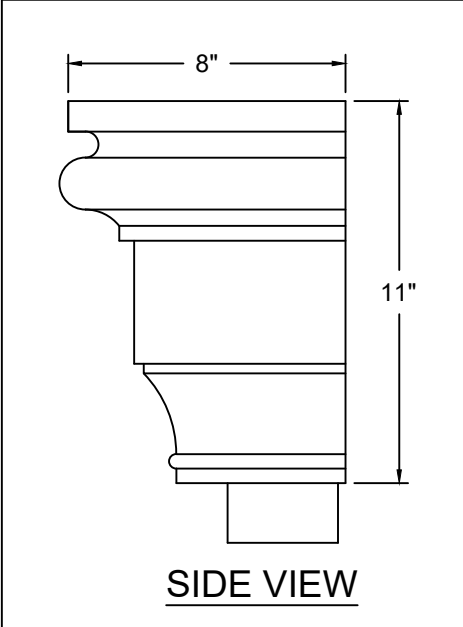
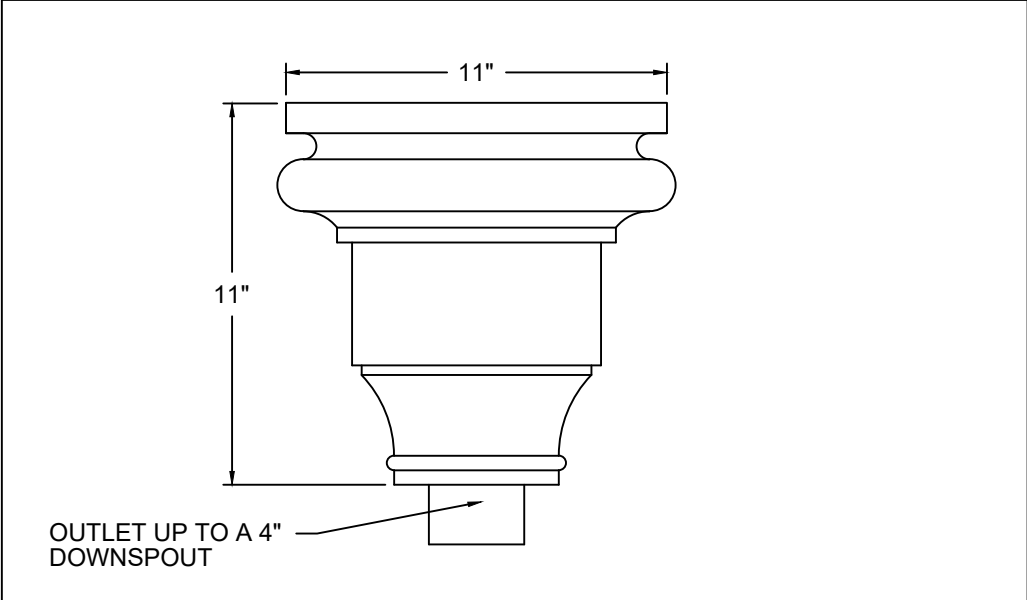


CONDUCTOR HEADS THE CARLISLE



AVAILABLE MATERIALS GALVANIZED
 COPPER FREEDOM GRAY COPPER PREWEATHERED ZINC PAINT GRIP STEEL

REV. '24