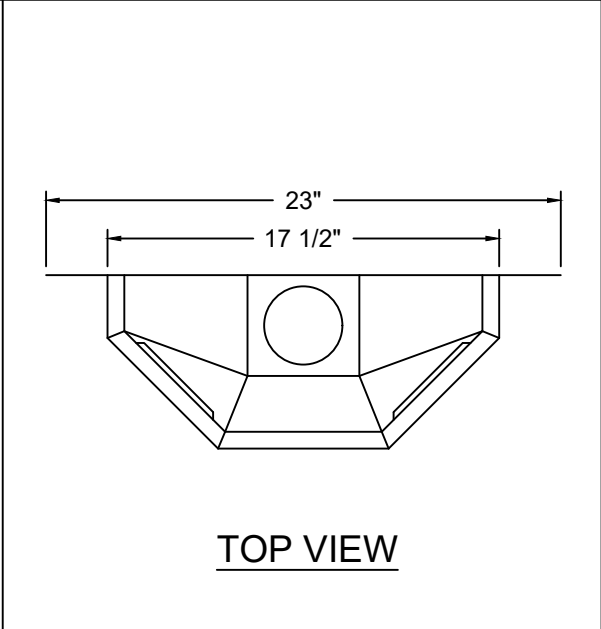
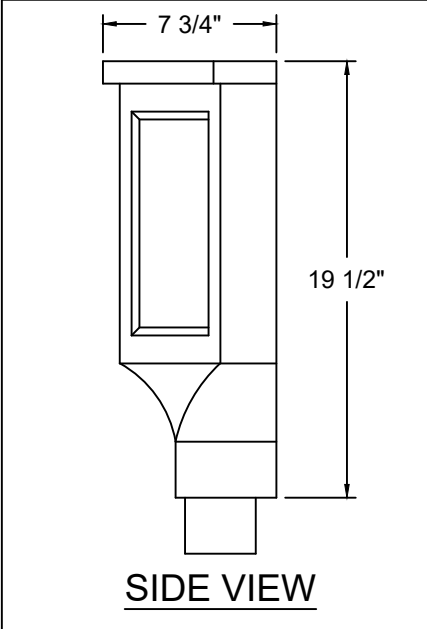
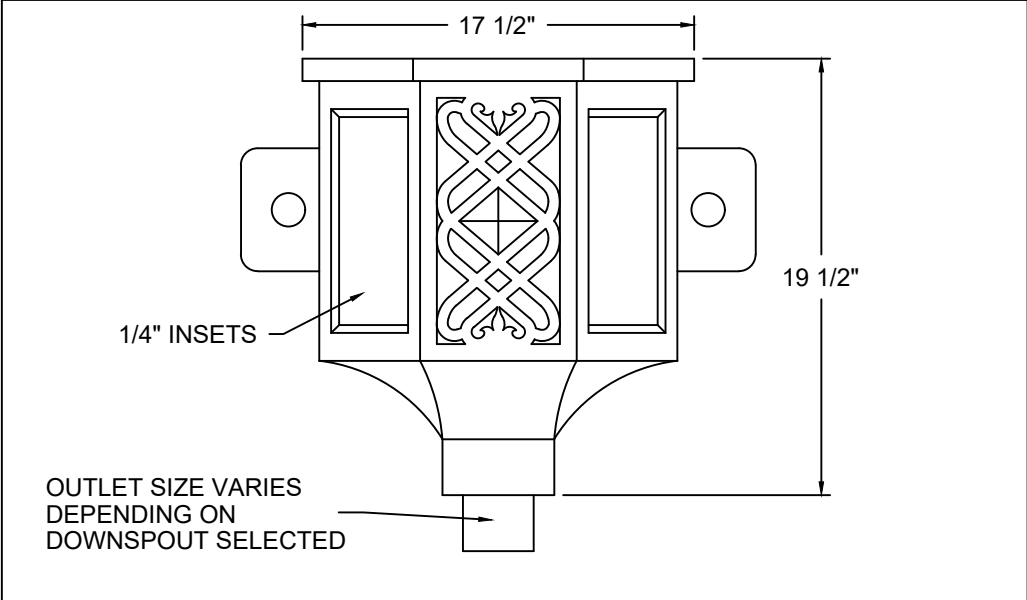


CONDUCTOR HEADS THE CHANCELLOR



AVAILABLE MATERIALS:
 COPPER FREEDOM GRAY COPPER PREWEATHERED ZINC GALVANIZED

REV. '24