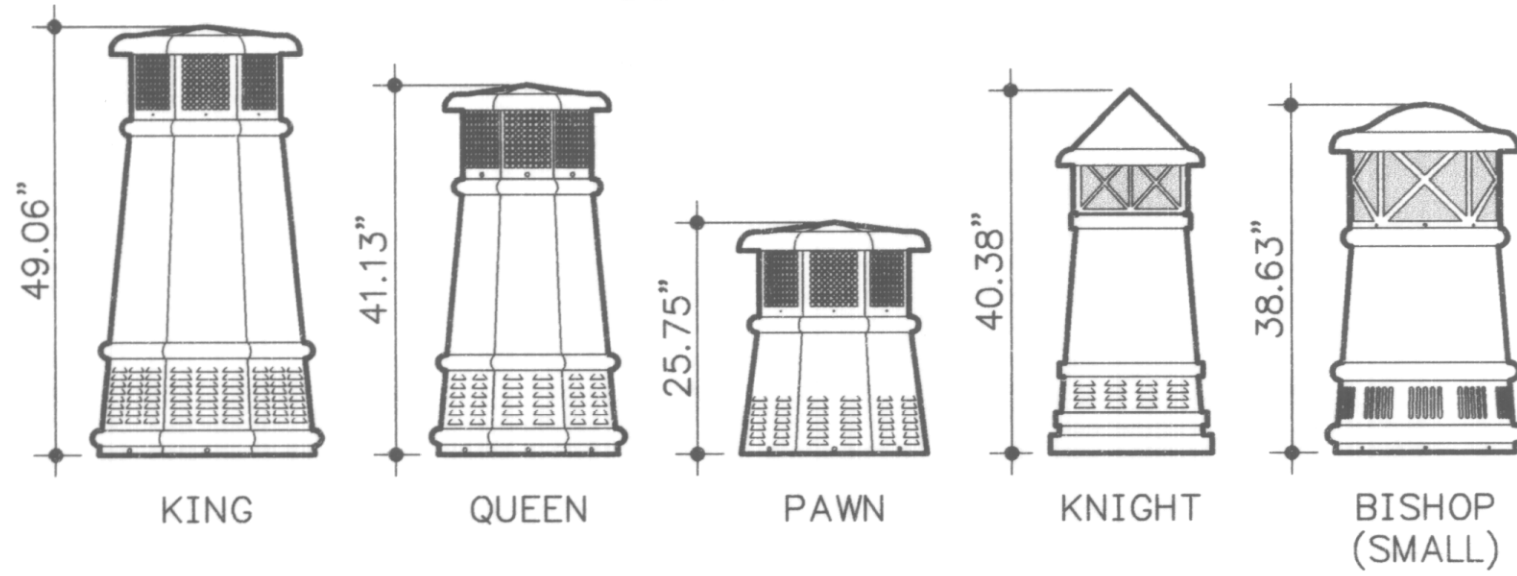
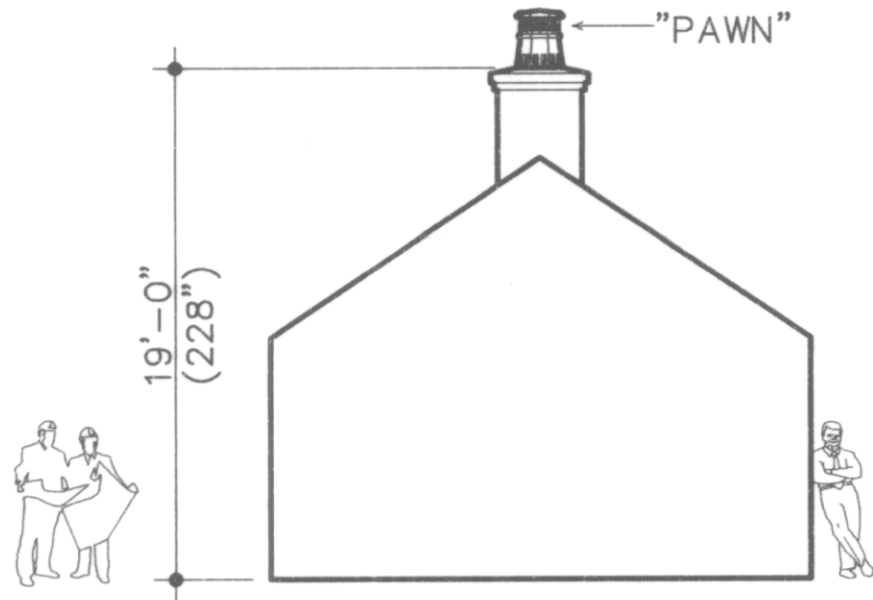


RECOMMENDED SELECTIONS BASED ON CHIMNEY HEIGHT

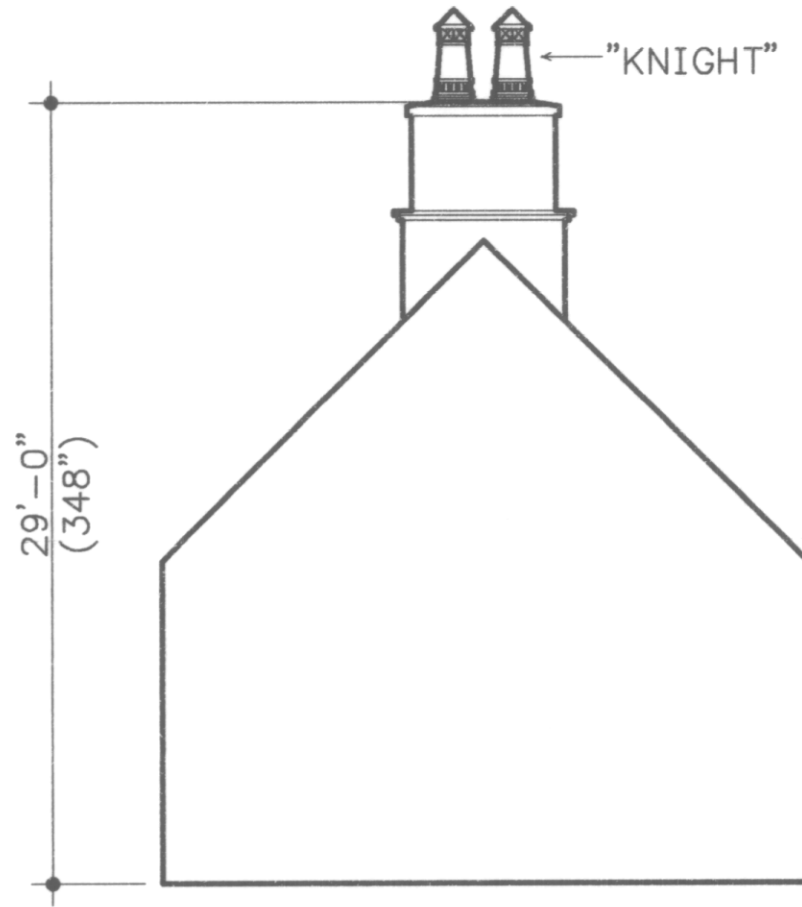
AVAILABLE MODELS



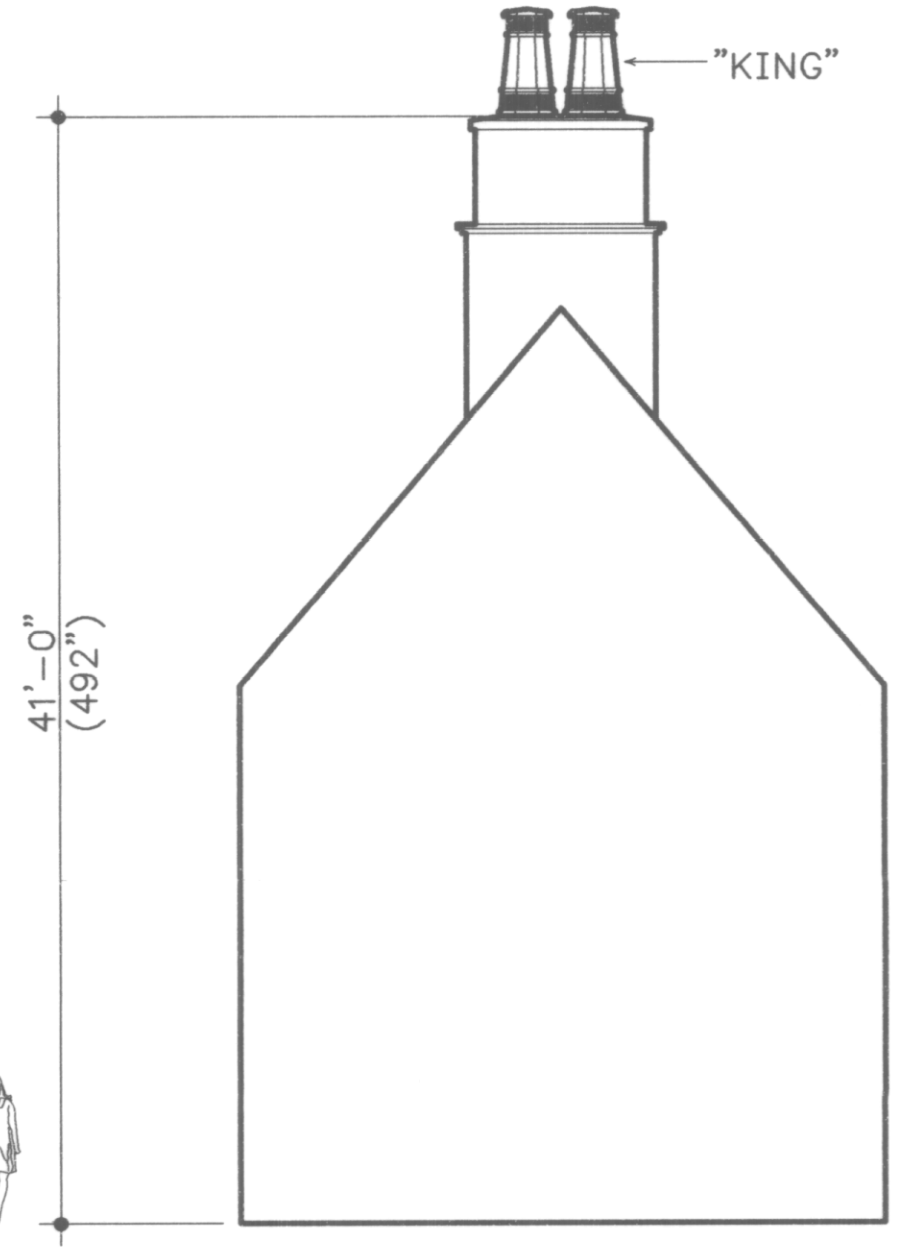
FOR ASTHETIC REASONS, EUROPEAN COPPER RECOMMENDS USING A CHIMNEY POT THAT IS APPROXIMATELY 9% - 15% OF THE HEIGHT OF THE CHIMNEY ON WHICH IT IS TO BE INSTALLED.



EXAMPLE "A"
HEIGHT OF PAWN IS 25.75" WHICH EQUALS 11% OF THE CHIMNEY HEIGHT

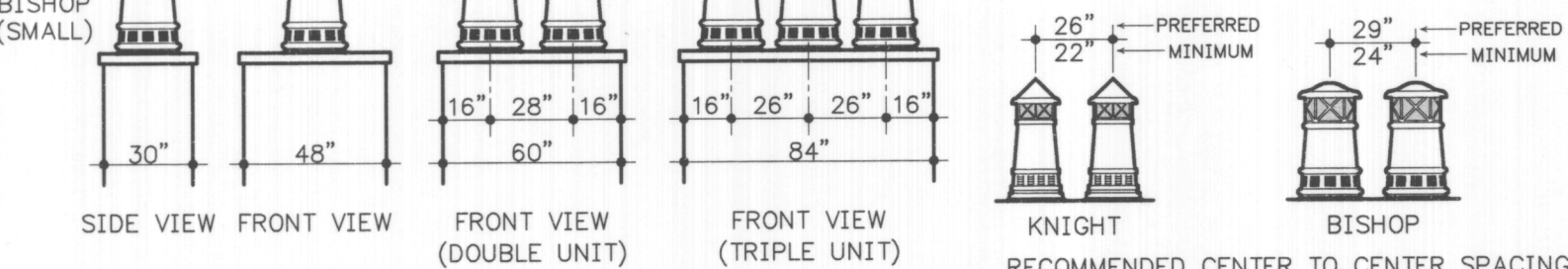
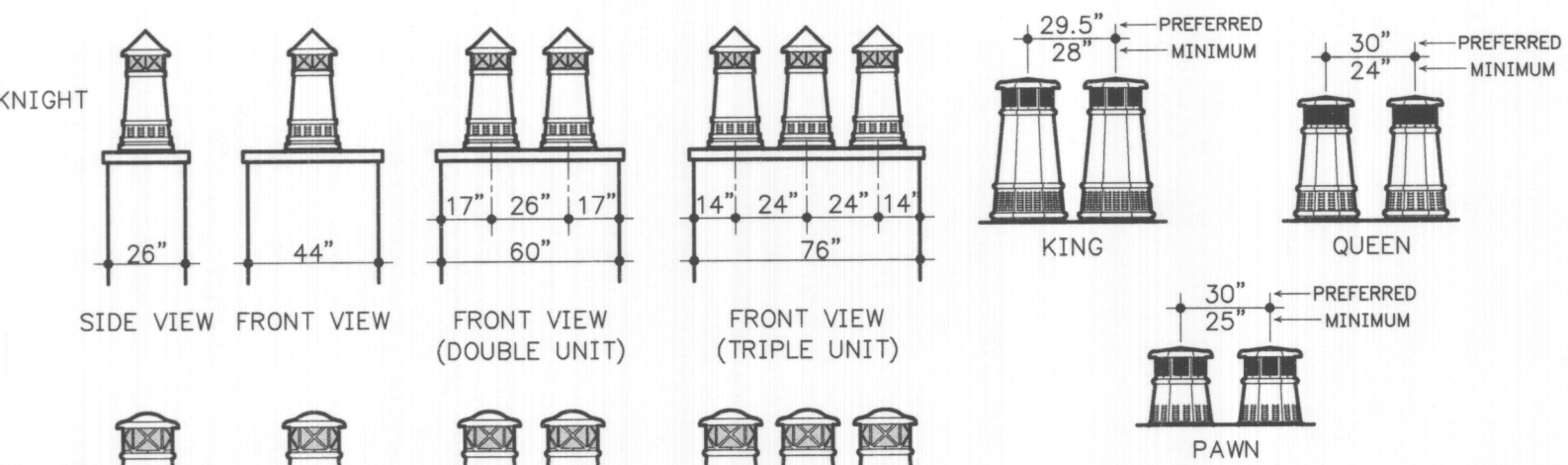
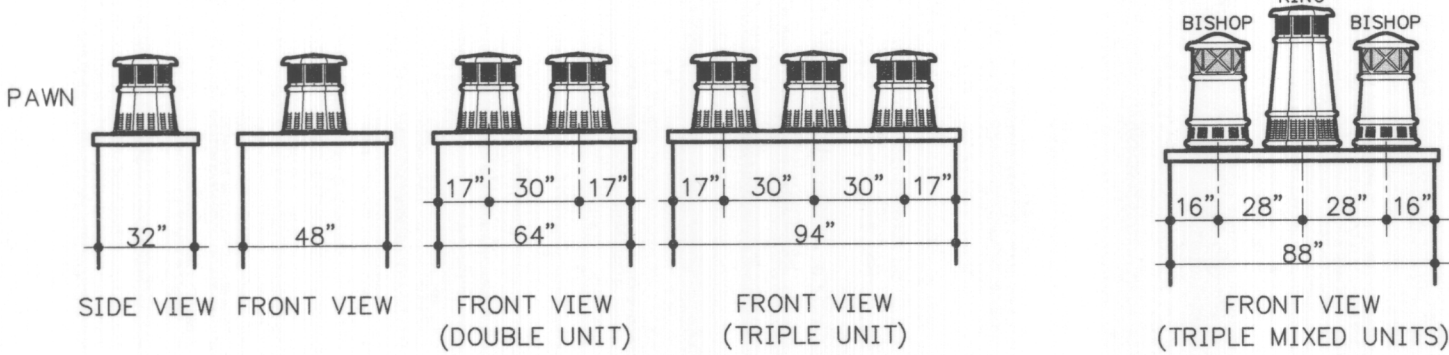
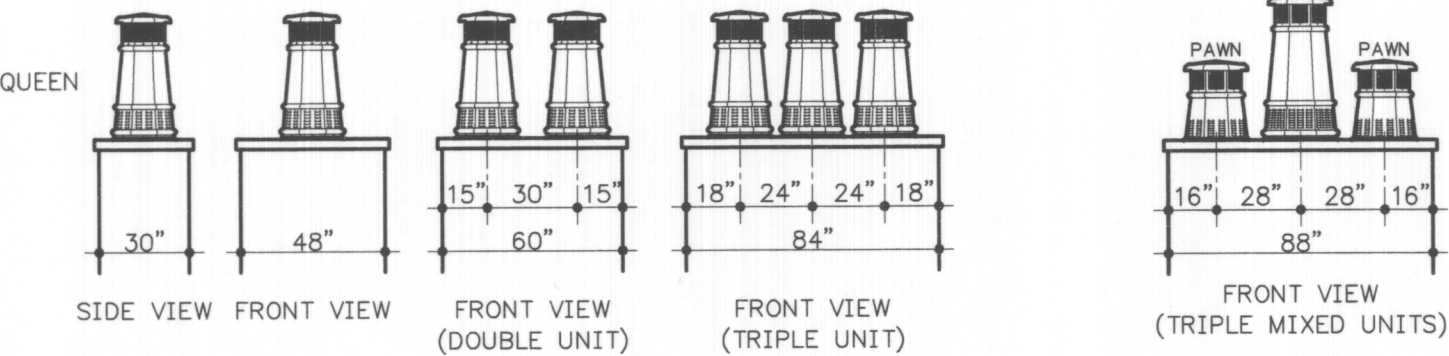
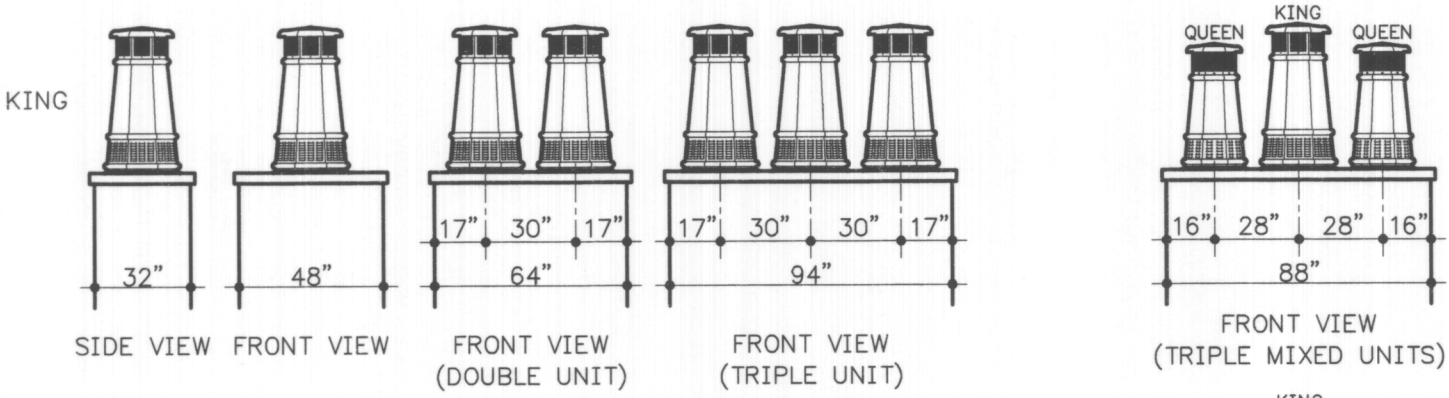


EXAMPLE "B"
HEIGHT OF KNIGHT IS 40.38" WHICH EQUALS 12% OF THE CHIMNEY HEIGHT



EXAMPLE "C"
HEIGHT OF KING IS 49.06" WHICH EQUALS 10% OF THE CHIMNEY HEIGHT

RECOMMENDED SELECTIONS BASED ON CHIMNEY SIZE



RECOMMENDED CENTER TO CENTER SPACING