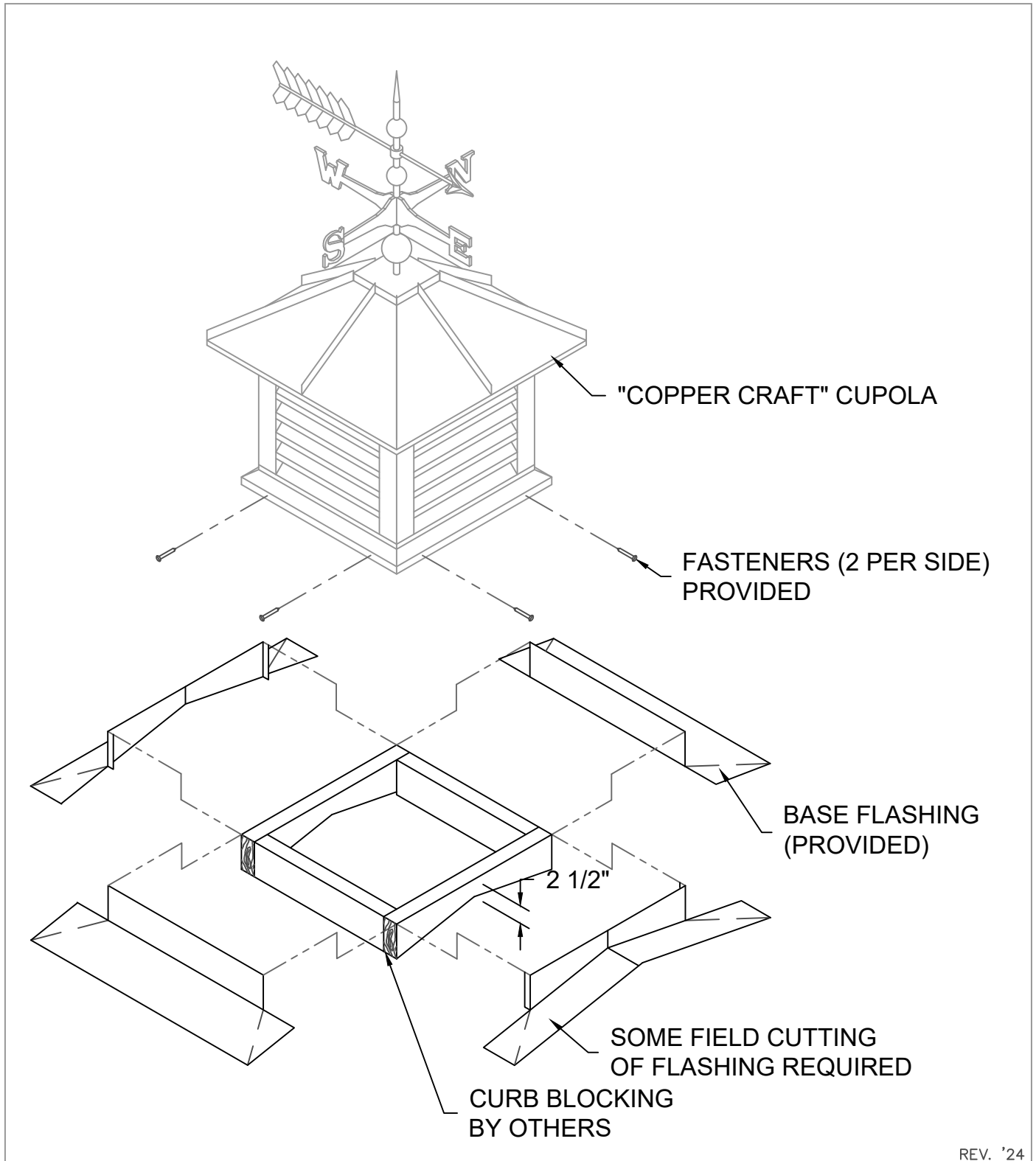


# CUPOLA TYPICAL INSTALLATION



REV. '24

## INSTALLATION:

1. FRAME CURB ON ROOF DECK.
2. BUTT LAST ROOF COURSE TO CURB.
3. INSTALL BASE FLASHING INCLUDED (SOME FIELD CUTTING REQUIRED).
4. SET CUPOLA OVER CURB.
5. ATTACH CUPOLA USING FASTENERS PROVIDED.

## ORDER INFORMATION:

SPECIFY EXACT ROOF PITCH.  
CALL FOR PRICING ON PITCHES 12 IN 12 OR GREATER