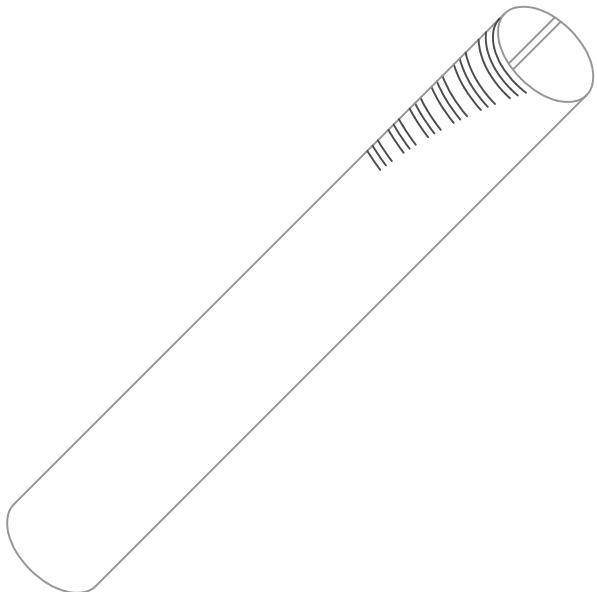
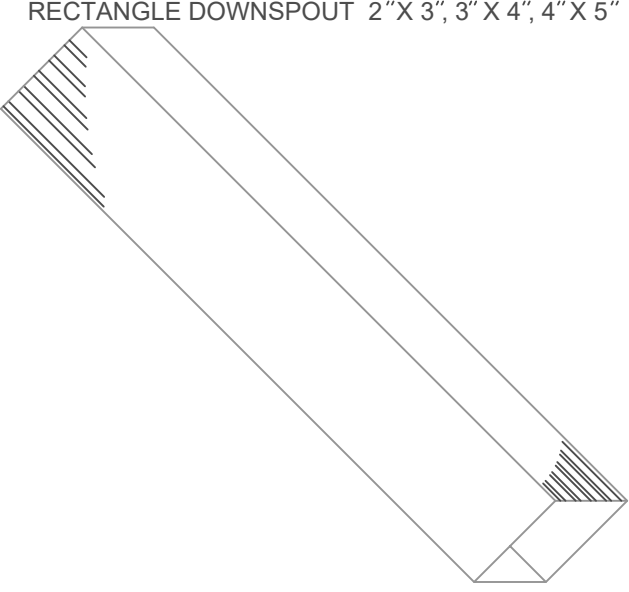
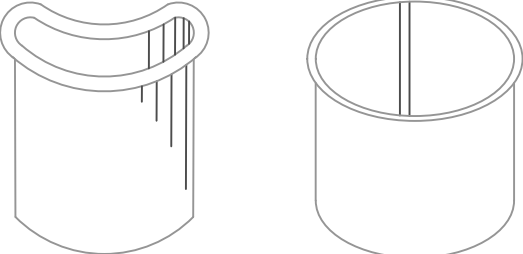
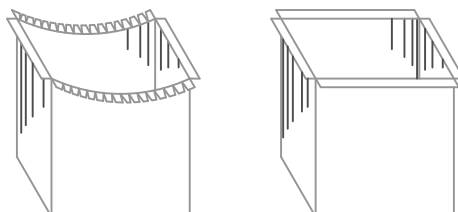
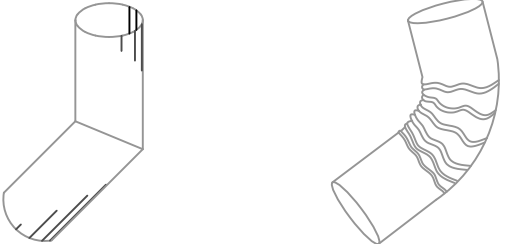
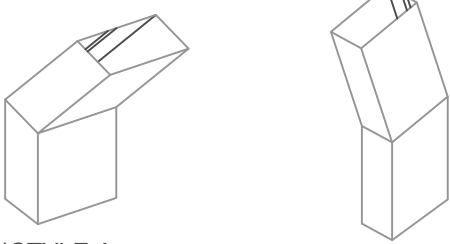


DOWNSPOUT AND ACCESSORIES

<p>ROUND DOWNSPOUT 3", 4", 5", 6", 7"</p>  <p>ROUND DOWNSPOUT AVAILABLE IN 26GA PREFINISHED STEEL ONLY.</p>	<p>SQUARE DOWNSPOUT 3", 4", 5" RECTANGLE DOWNSPOUT 2" X 3", 3" X 4", 4" X 5"</p>  <p>SQUARE AND RECTANGLE DOWNSPOUTS ARE ALSO AVAILABLE IN 24 GAUGE KYNAR COATED STEEL</p>
<p>ROUND OUTLETS 3", 4", 5", 6", 7"</p>  <p>FOR PROFILED GUTTERS FLAT BOTTOM</p>	<p>SQUARE DOWNSPOUT OUTLET 3", 4", 5" RECTANGULAR DOWNSPOUT OUTLET 2" X 3" 3" X 4" 4" X 5"</p>  <p>FOR PROFILED GUTTERS FLAT BOTTOM</p>
<p>ROUND ELBOWS 3", 4", 5", 6", 7" *</p>  <p>**CUT AND SOLDERED STYLE W/ O/S SEAM (STANDARD) CRIMPED STYLE W/ I/S SEAM</p>	<p>SQUARE/ RECTANGLE ELBOWS * 2" X 3" 3" X 4" 4" X 5"</p>  <p>**STYLE A **STYLE B</p> <p>ELBOW A OR B IS FOR RECTANGLE ONLY.</p>
<p>AVAILABLE MATERIALS</p> <p>COPPER GALVANIZED PAINT GRIP STEEL FREEDOM GRAY COPPER PREFINISHED ALUMINUM/ STEEL GALVALUME PREWEATHERED ZINC</p> <p style="text-align: right;">REV. '24</p>	

* SPECIFY 30°, 45°, 60°, 75°, 90°

** SPECIFY INSIDE OR OUTSIDE SEAM

CUT STYLE FOR ALUMINUM USES POP RIVETS AND CAULK

NOTE: