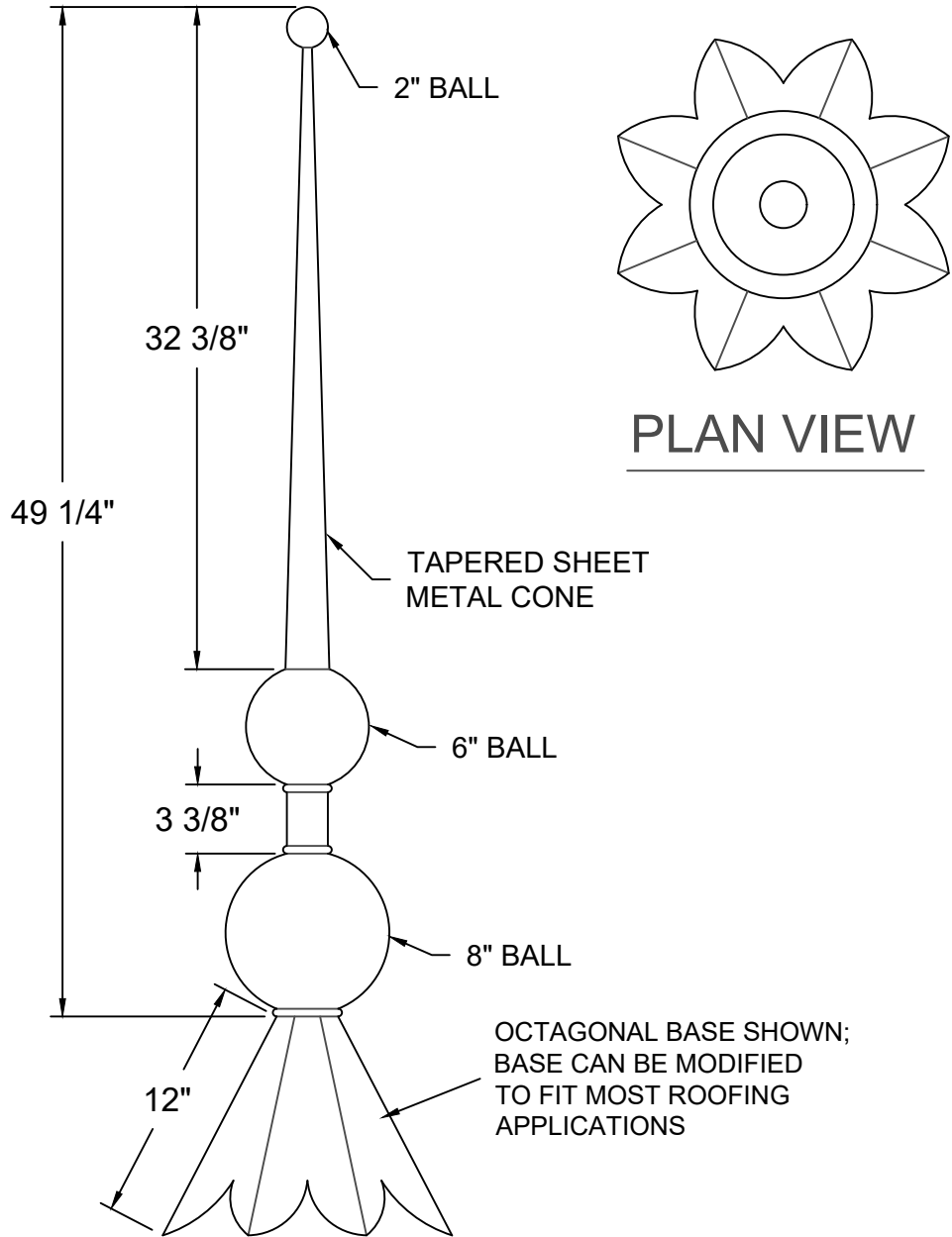


SPIRE THE DUKE



*** PLEASE SPECIFY ROOF SLOPE

REV. '24

AVAILABLE MATERIALS: MILL FINISH/ POST PAINTED ALUMINUM PAINT GRIP STEEL
 COPPER FREEDOM GRAY COPPER PREWEATHERED ZINC

WEIGHT: VARIES DEPENDING ON ROOF CONDITION, ROOF SLOPE AND MATERIAL

OTHER: PIPE TO EXTEND 12" PAST SPIRE.
 AVAILABLE WITH OTHER BASE OPTIONS FOR VARIOUS ROOF CONDITIONS.
 PROVIDE ROOF SLOPE.

INSTALLATION: FASTEN THROUGH 12" ROOF FLANGE WITH FASTENERS PROVIDED. SEAL
 WITH SEALANT FOR A WATERTIGHT INSTALLATION. FASTEN PIPE TO
 STRUCTURE.

OPTIONS: AVAILABLE WITH LIGHTNING PROTECTION KIT. CONTINUE L.P. SYSTEM AS
 PER LOCAL CODE BY QUALIFIED LIGHTNING PROTECTION INSTALLERS.

**copper
craft**
A FLACK GLOBAL METALS COMPANY