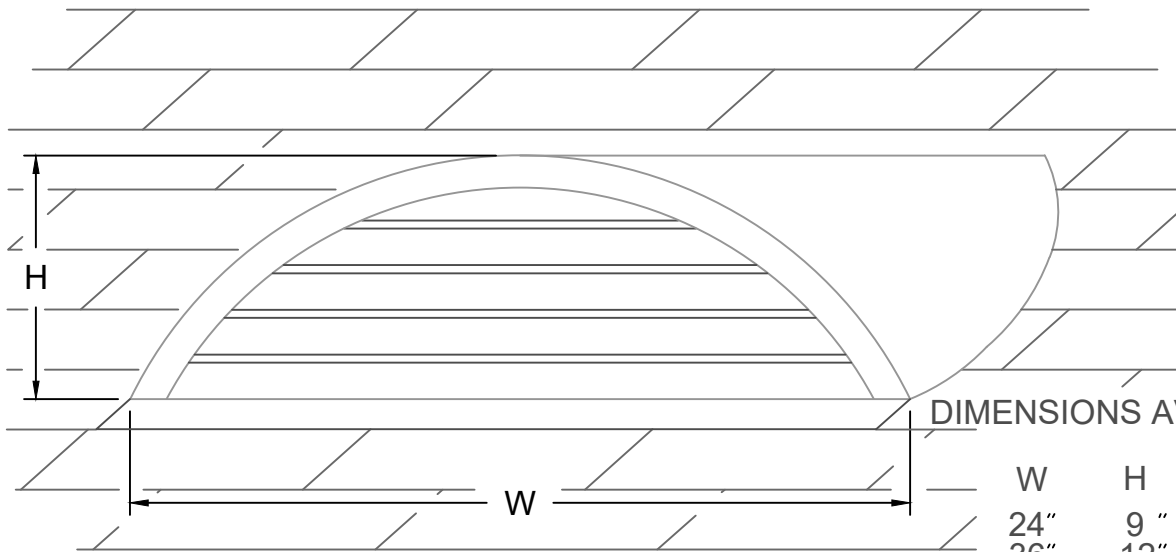


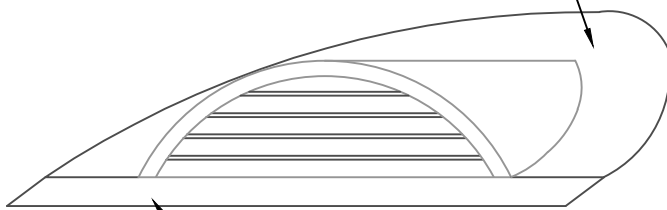
LOUVER DORMER EYEBROW



DIMENSIONS AVAILABLE:

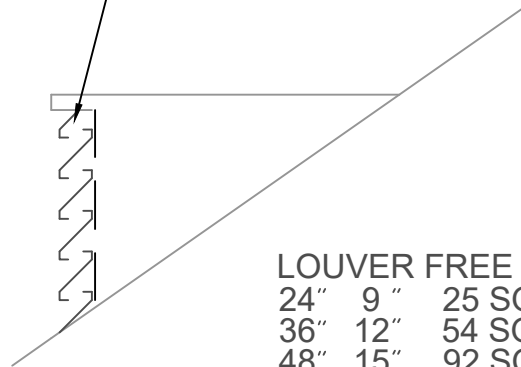
| W | H | LOUVER DEPTH: |
|-----|-----|---------------|
| 24" | 9" | 2" |
| 36" | 12" | 2" |
| 48" | 15" | 3" |
| 54" | 18" | 3" |
| 72" | 24" | 3" |
| 90" | 30" | 4" |

12" FLANGE SOLDERED
OR SEALED WATERTIGHT



4" FLANGE IN FRONT

LOUVERS W/ BUG SCREEN
SET BACK FROM FACE



LOUVER FREE AREA:

| | | |
|-----|-----|-------------|
| 24" | 9" | 25 SQ. IN. |
| 36" | 12" | 54 SQ. IN. |
| 48" | 15" | 92 SQ. IN. |
| 54" | 18" | 104 SQ. IN. |
| 72" | 24" | 189 SQ. IN. |
| 90" | 30" | 279 SQ. IN. |

REV. '24

AVAILABLE MATERIALS:

COPPER FREEDOM GRAY COPPER PAINT GRIP STEEL PREWEATHERED ZINC
 PREFINISHED ALUMINUM/ STEEL

- INSTALLATION: MARK OPENING IN ROOF DECK ON DESIRED COURSE. CUT OPENING IN DECK. POSITION DORMER OVER OPENING AND FASTEN TO DECK.
- OTHER INFORMATION: SPECIFY EXACT ROOF PITCH.
- OTHER: INCLUDES INSECT SCREEN OF COMPATIBLE MATERIAL.