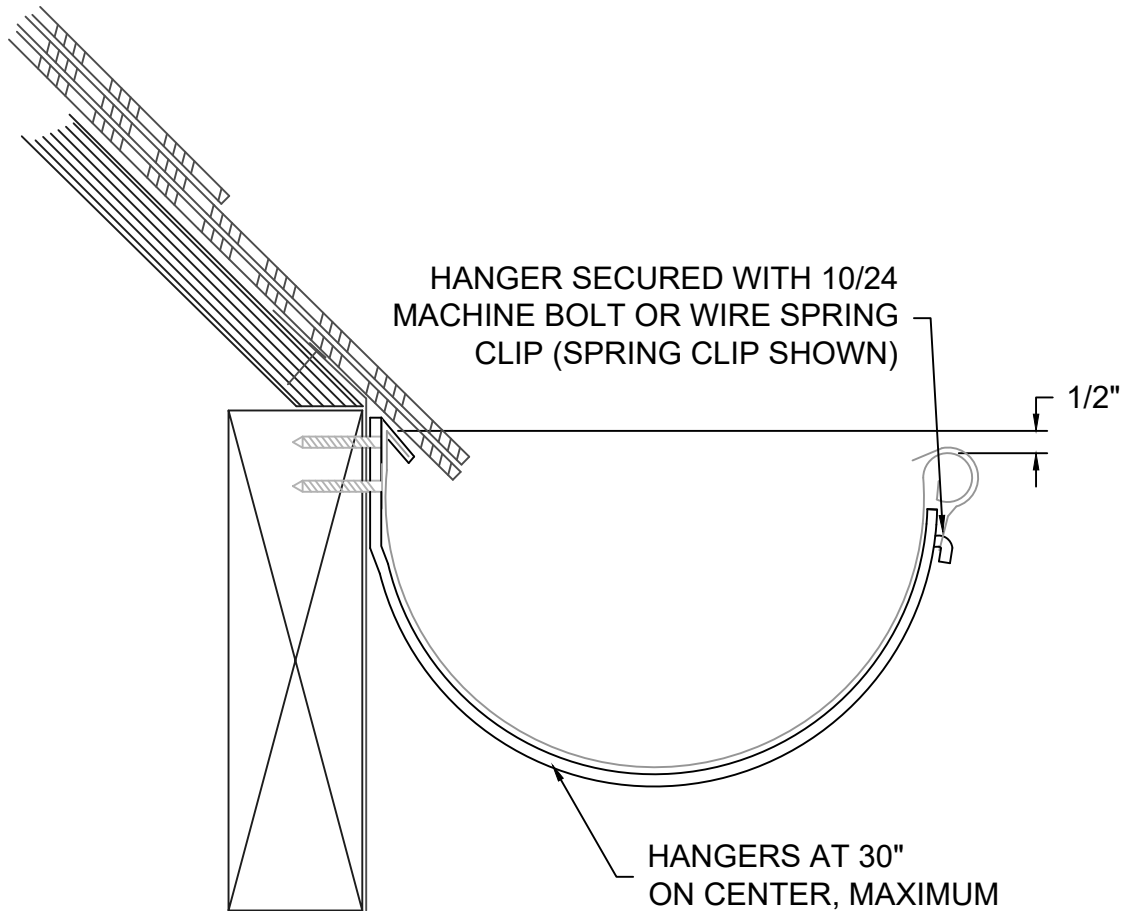


HALF ROUND GUTTER SECTIONS

STANDARD HALF ROUND GUTTER WITH FACE MOUNT HANGER.
FOR APPLICATIONS ON SLATE OR SHINGLE ROOFING
WITH VERTICAL FASCIA BOARD



REV. '24

IN AREAS SUBJECT TO SNOW SLIDE, COORDINATE THE FRONT EDGE ELEVATION OF GUTTERS WITH ROOF SLOPE LINE.