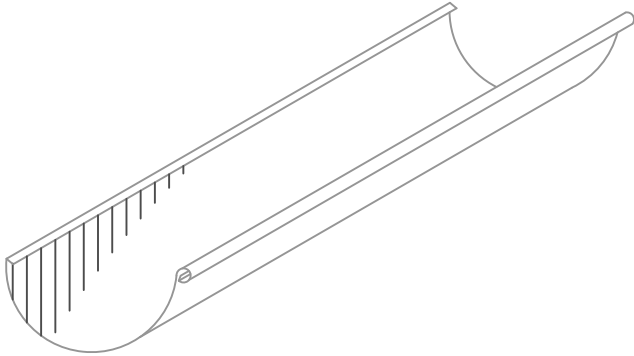
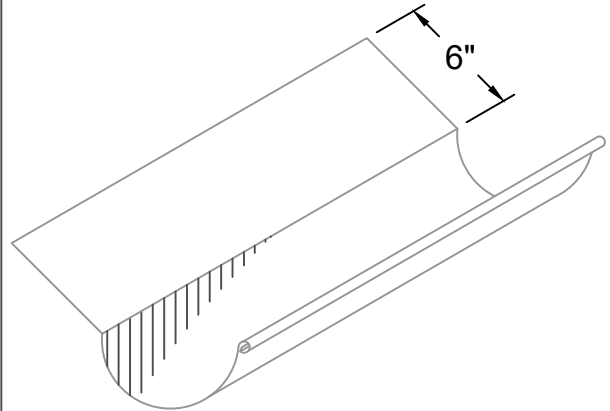


# HALF ROUND GUTTERS

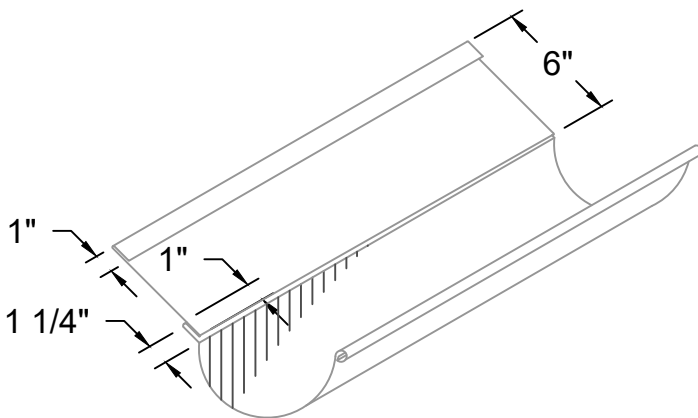
SINGLE BEAD - STANDARD 5",6",7",8" \*\*



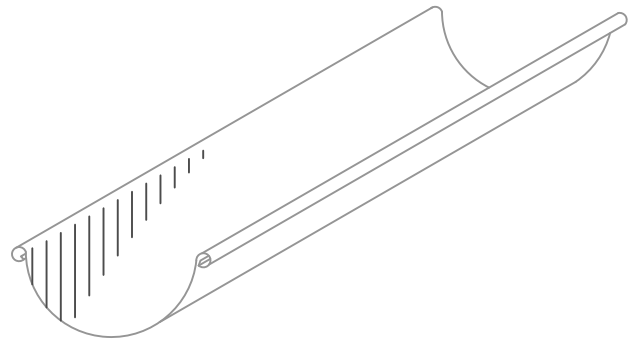
SINGLE BEAD - HIGH BACK 5",6",7",8" \*



SINGLE BEAD - FOR STANDING SEAM 5",6",7",8" \*



DOUBLE BEAD 5",6",7",8"



## AVAILABLE MATERIALS

COPPER      FREEDOM GRAY COPPER      PAINT GRIP STEEL      PREWEATHERED ZINC  
 PREFINISHED ALUMINUM/ STEEL      GALVALUME

REV. '24

\* SPECIFY ROOF PITCH

\*\* AVAILABLE CURVED

ALL HALF ROUND GUTTER ITEMS IN 10 FOOT LENGTHS.

ALL HALF ROUND GUTTER ITEMS ARE AVAILABLE WITH HANGERS AND STRAPS.

IN AREAS SUBJECT TO SNOW SLIDE, COORDINATE THE FRONT EDGE ELEVATION OF GUTTERS WITH ROOF SLOPE LINE.