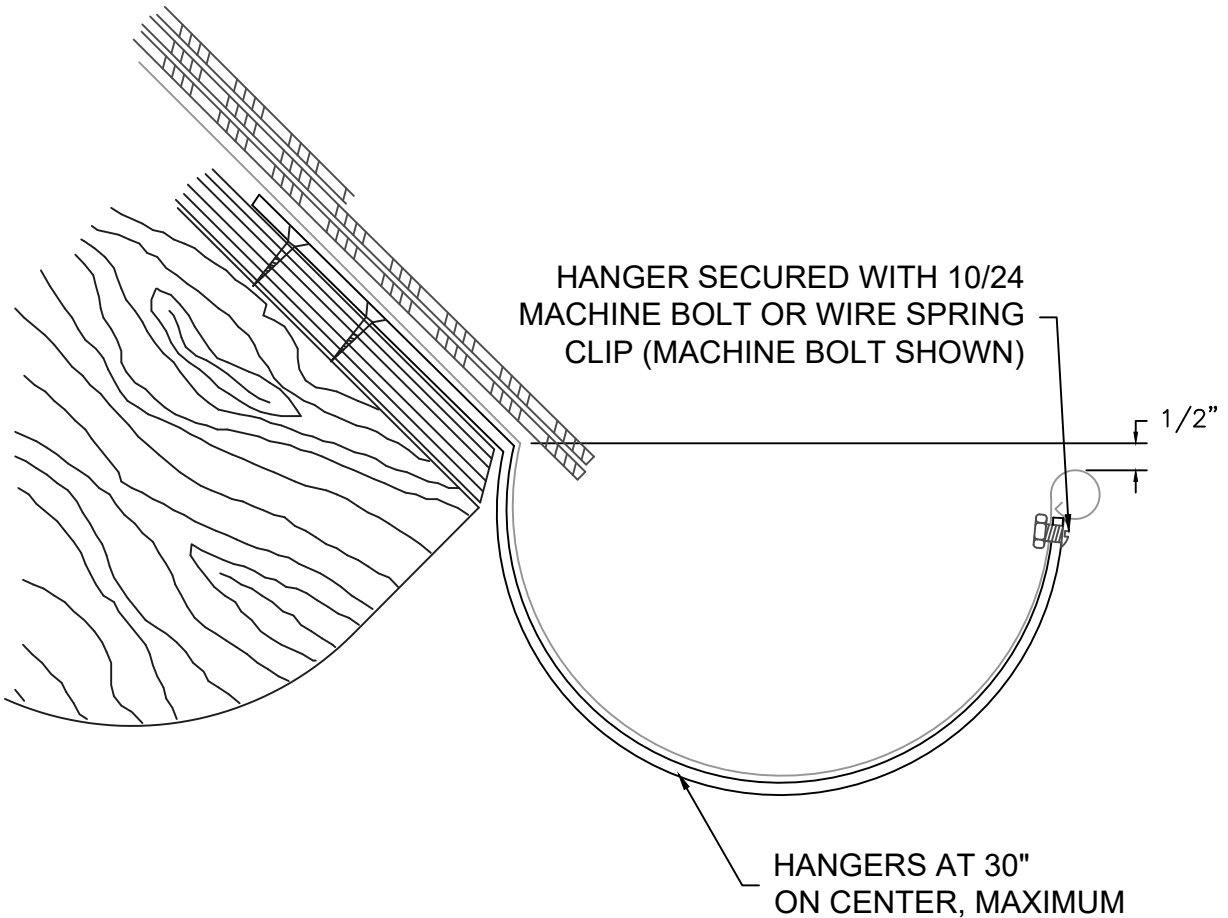


# HALF ROUND GUTTER SECTIONS

HALF ROUND HIGH BACK GUTTER WITH ROOF MOUNT HANGER.  
FOR APPLICATION ON SLATE OR SHINGLE ROOFING  
WITH OPEN RAFTERS OR RECEDING FASCIA



REV. '24

IN AREAS SUBJECT TO SNOW SLIDE, COORDINATE THE FRONT EDGE ELEVATION OF GUTTERS WITH ROOF SLOPE LINE.