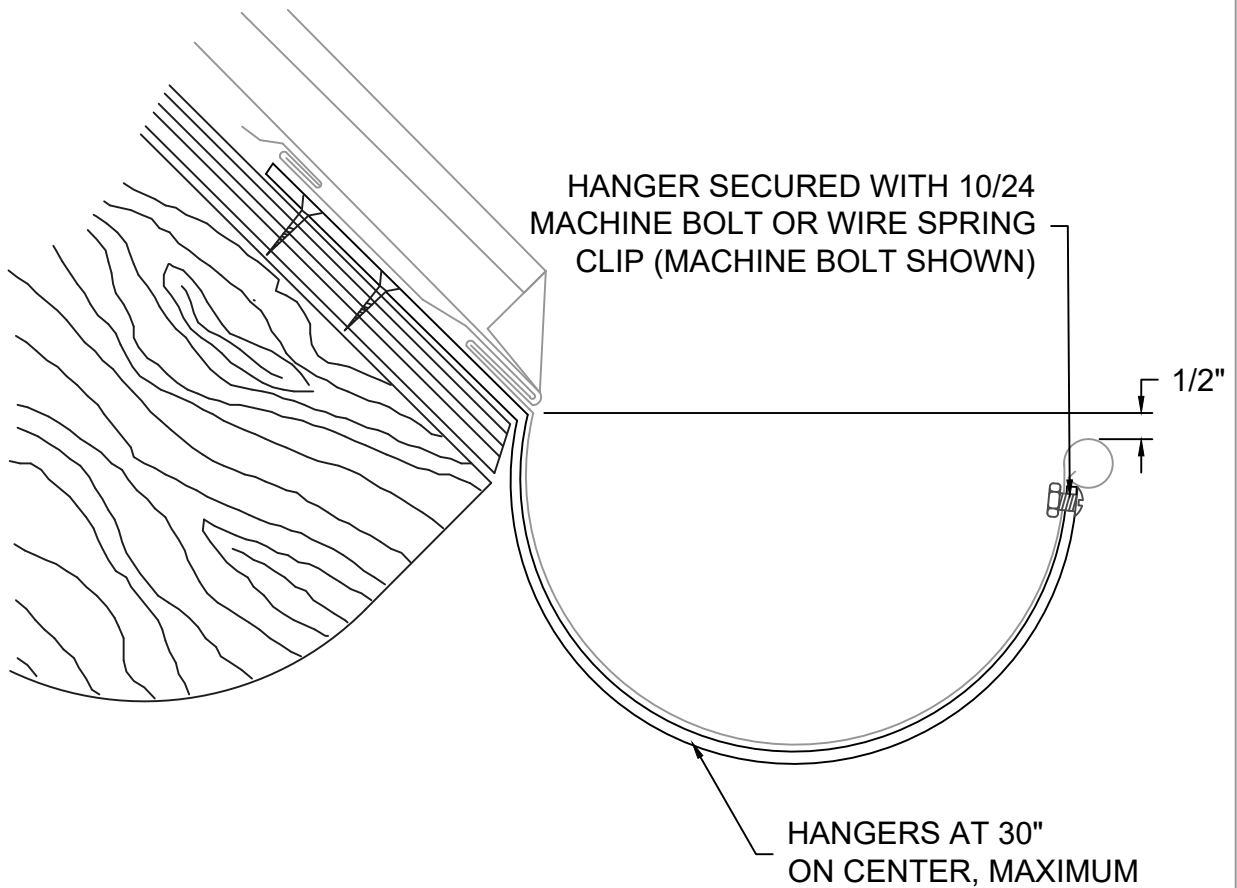


# HALF ROUND GUTTER SECTIONS

HALF ROUND GUTTER FOR STANDING SEAM WITH ROOF MOUNT HANGER.  
FOR APPLICATIONS WITH OPEN RAFTERS, RECEDING FASCIA, OR VERTICAL FASCIA.



REV. '24

IN AREAS SUBJECT TO SNOW SLIDE, COORDINATE THE FRONT EDGE ELEVATION OF GUTTERS  
WITH ROOF SLOPE LINE.