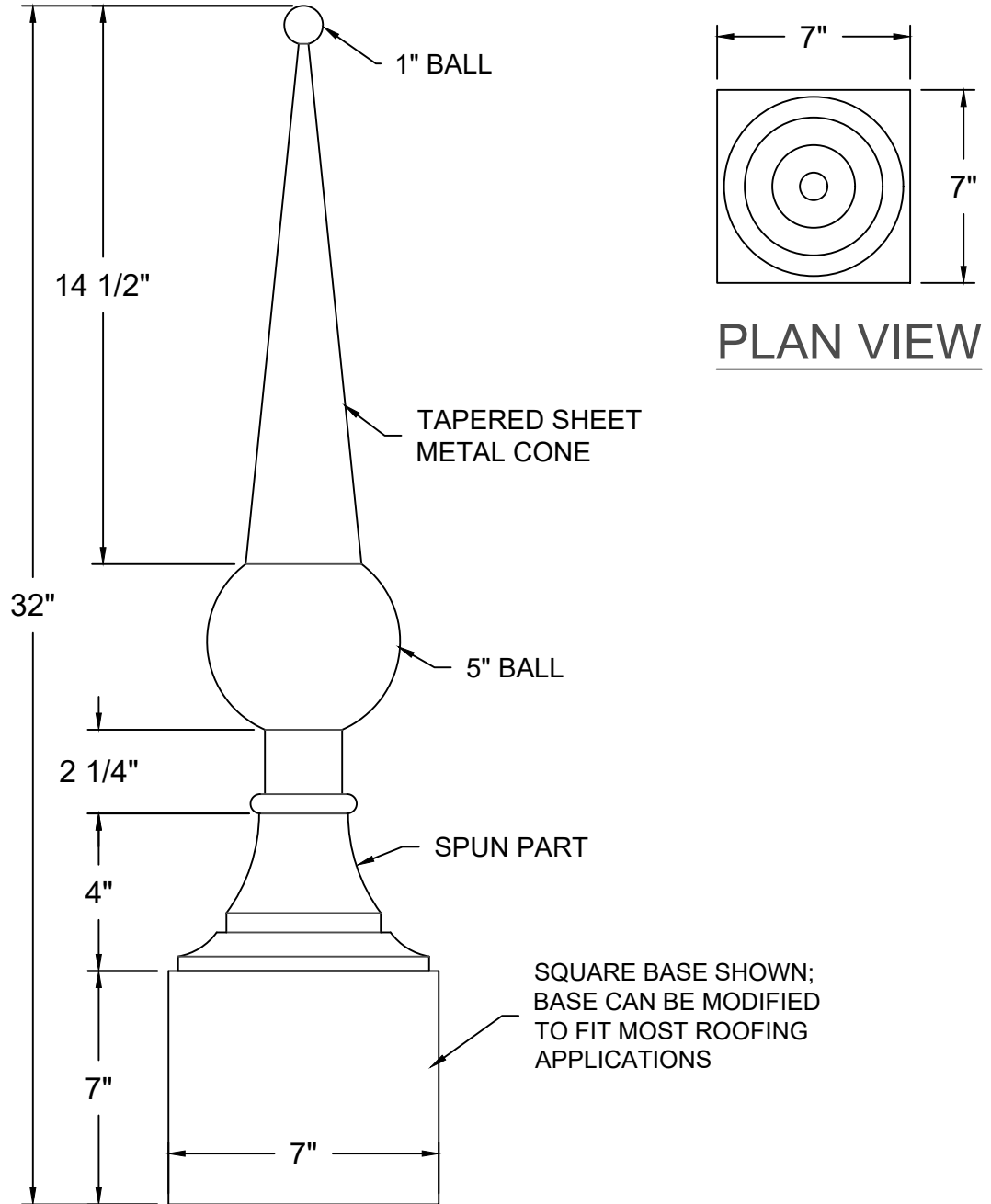


SPIRE THE MADRID



REV. '24

AVAILABLE MATERIALS:	COPPER	
MILL FINISHED ALUMINUM	FREEDOM GRAY COPPER	POST PAINTED ALUMINUM

- WEIGHT: VARIES DEPENDING ON ROOF CONDITION, ROOF SLOPE AND MATERIAL
- INSTALLATION: SEAL THE MOUNTING BRACKET (PROVIDED) TO THE ROOF SURFACE FOR A WATERTIGHT INSTALLATION. SET SPIRE BASE OVER MOUNTING BRACKET AND ATTACH USING FASTENERS PROVIDED. SPECIFY ROOF SLOPE FOR BRACKETS.
- OTHER: AVAILABLE WITH OTHER BASE OPTIONS FOR VARIOUS ROOF CONDITIONS. PROVIDE ROOF SLOPE.
- OPTIONS: AVAILABLE WITH LIGHTNING PROTECTION KIT. CONTINUE L.P. SYSTEM AS PER LOCAL CODE BY QUALIFIED LIGHTNING PROTECTION INSTALLERS.