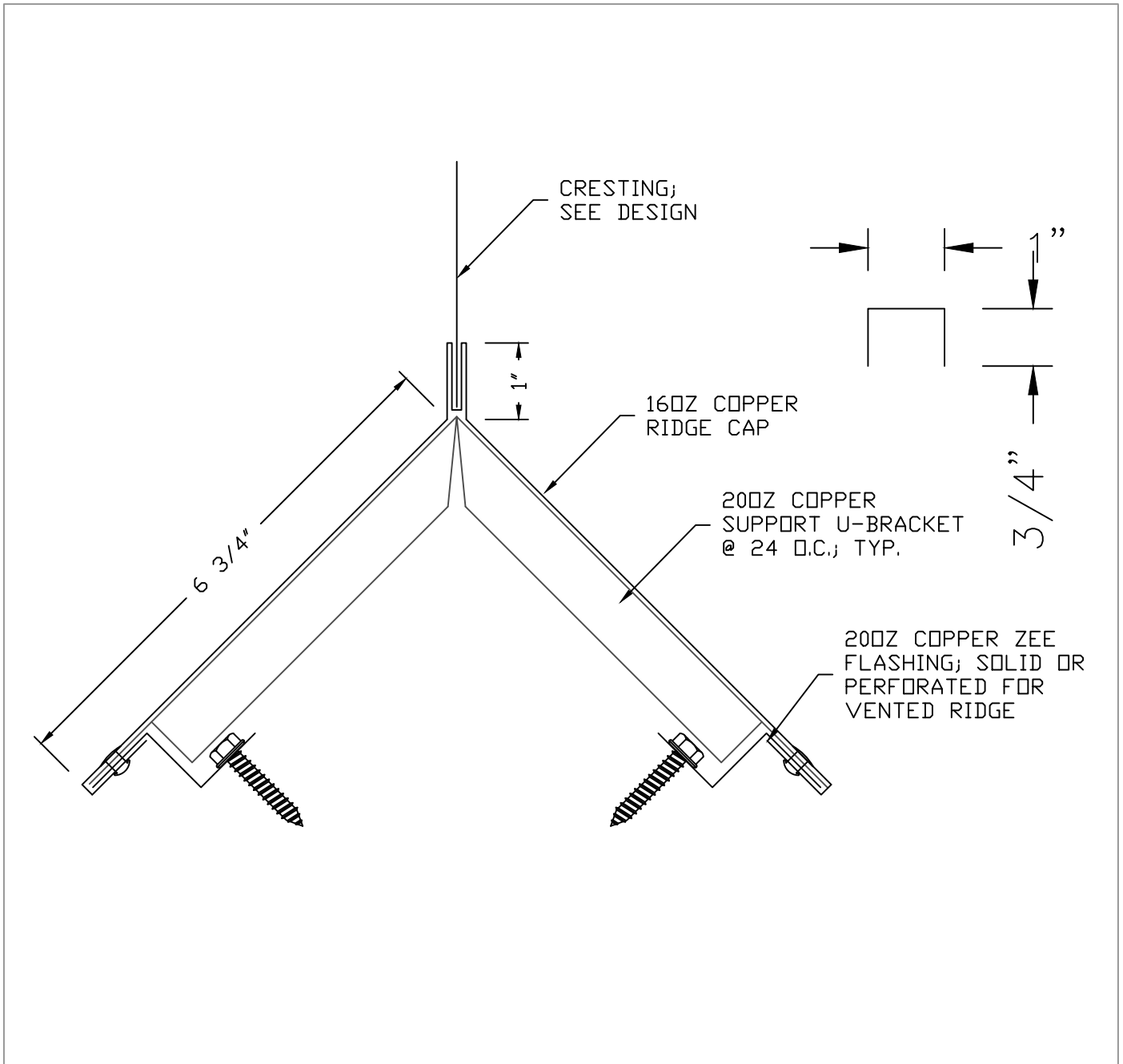


MEDIUM CRESTING RIDGE CAP



AVAILABLE MATERIALS: COPPER

INSTALLATION:

- INSTALL "Z" STRIP ON LEFT AND RIGHT SIDES OF RIDE, USING 1 1/2" STAINLESS STEEL SCREWS TO FASTEN TO ROOF.
- INSTALL SUPPORT BRACKET AT TWO FARTHEST MOST ENDS, THEN SPACE EVERY 24" O.S., WITH ONE LAYING OUT ON EVERY RIDGE SEAM FOR SUPPORT. (RECCOMEND OVERLAP OF RIDE CAP IS 3")
- SECURE COPPER SUPPORT TO "Z" STRIP WITH COPPER RIVETS (PROVIDED).
- INSTALL COPPER RIDE ON SUPPORTS.
- OPEN HEM ON RIDE IS ACCEPTED IN COPPER "Z" STRIP, NEEDS TO BE CLOSED WITH HAND SEAMERS.
- SECURE RIDE TO COPPER SUPPORTS WITH COPPER RIVETS AS NECESSARY.
- COPPER RIDGE WILL NEED TO BE TURNED DOWN AT GABLE ENDS FOR CLOSURE.