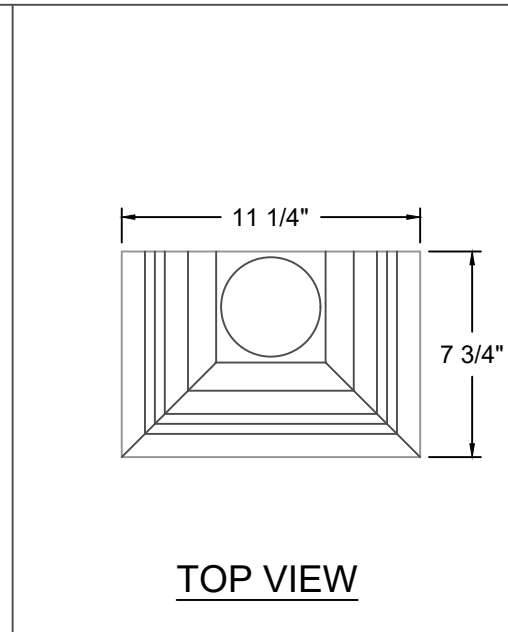
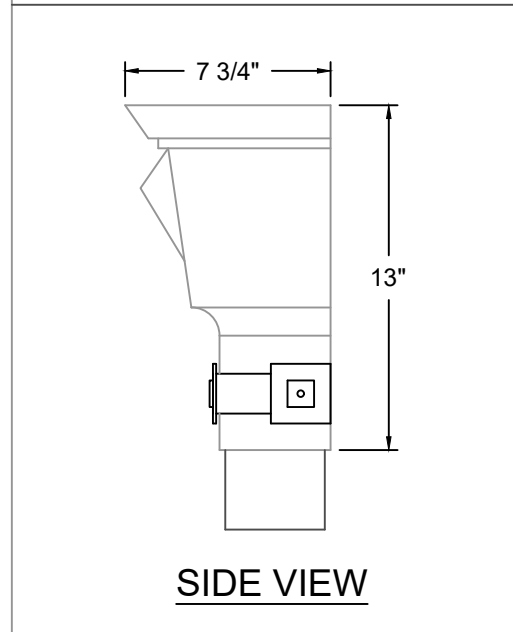
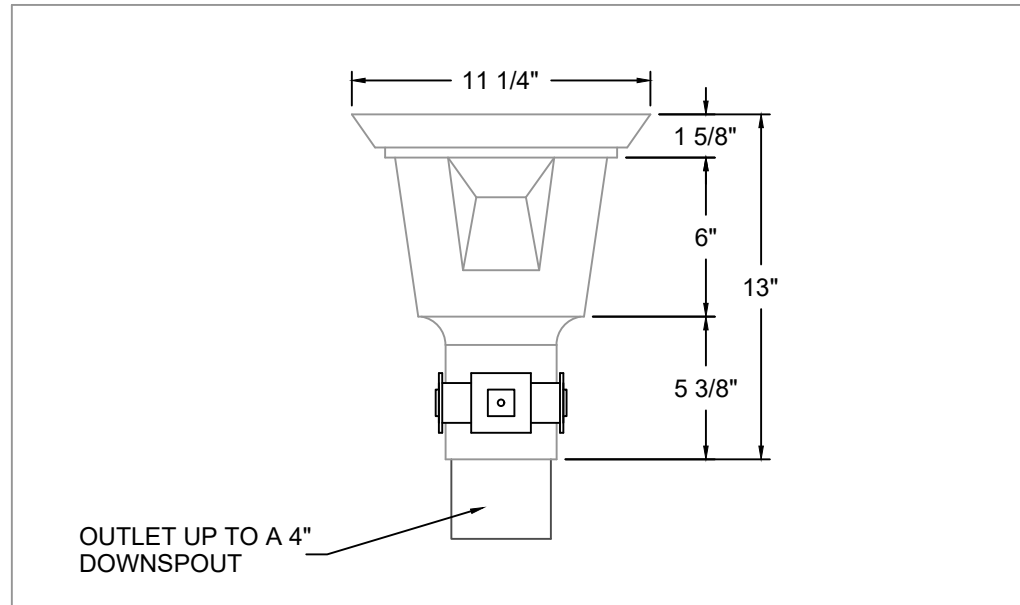


# CONDUCTOR HEADS THE NOTTINGHAM



AVAILABLE MATERIALS GALVANIZED  
COPPER FREEDOM GRAY COPPER PREWEATHERED ZINC PAINT GRIP STEEL

REV. '24