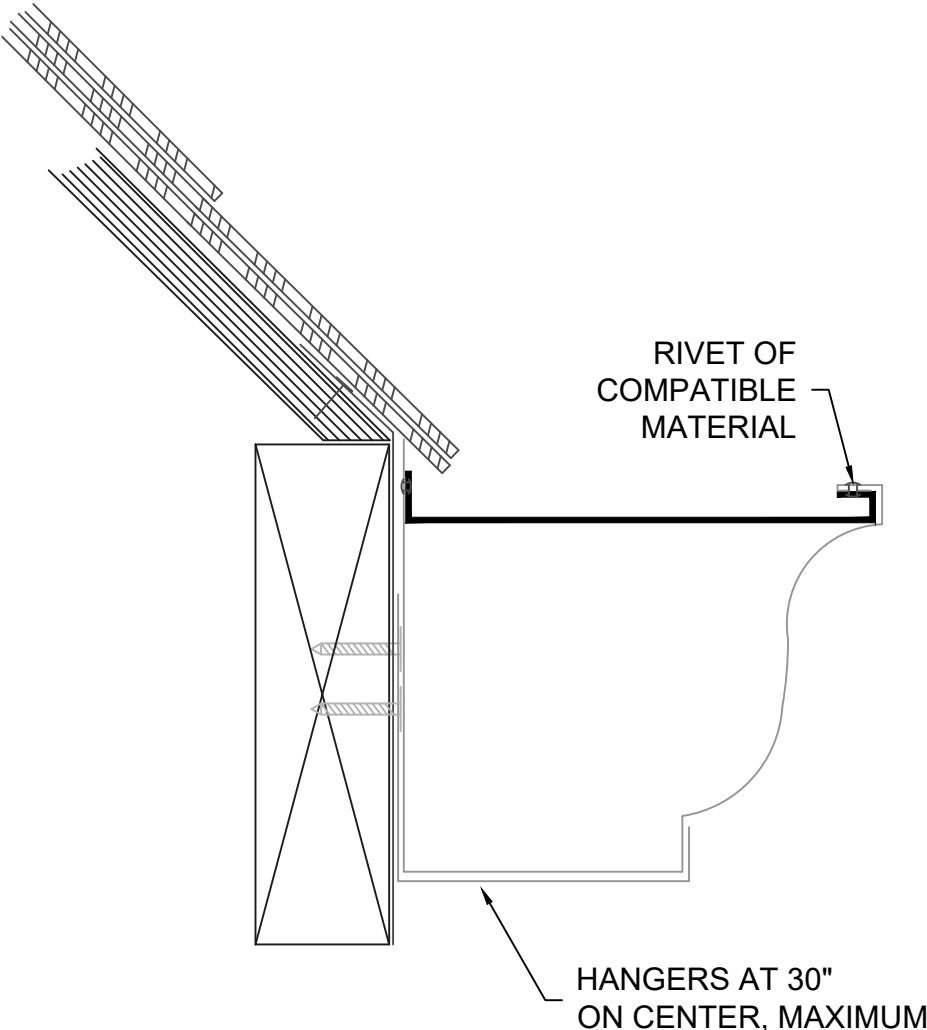


OGEE GUTTER SECTIONS

STANDARD OGEE GUTTER WITH FACE MOUNT BRACKET AND INSIDE GUTTER STRAP INSTALLATIONS IN HEAVY SNOW AND ICING AREA SHOULD UTILIZE BOTH AN OUTSIDE HANGER AND AN INSIDE STRAP



REV. '24

IN AREAS SUBJECT TO SNOW SLIDE, COORDINATE THE FRONT EDGE ELEVATION OF GUTTERS WITH ROOF SLOPE LINE.