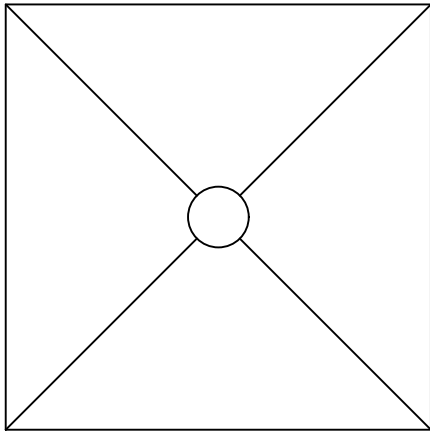
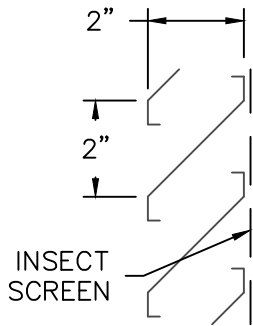
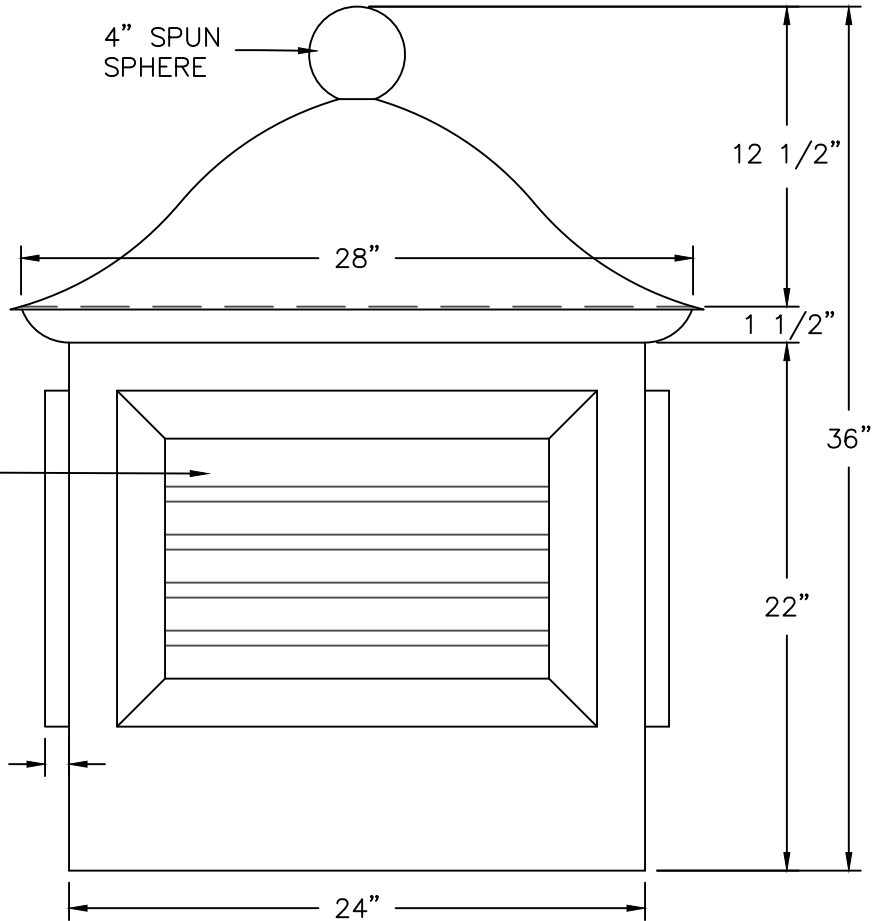


# CUPOLA PICCADILLY



PLAN VIEW



TYPICAL LOUVER  
CROSS SECTION

FREE AREA: 208 SQ. IN.  
REV. '24

## AVAILABLE MATERIALS:

COPPER

FREEDOM GRAY COPPER

PREWEATHERED ZINC

PAINT GRIP STEEL

WEIGHT:

VARIABLES DEPENDING ON ROOF CONDITION, ROOF SLOPE AND MATERIAL

INSTALLATION:

1. FRAME CURB ON ROOF DECK.
2. BUTT LAST ROOF COURSE TO CURB.
3. INSTALL BASE FLASHING PROVIDED (SOME FIELD CUTTING REQUIRED).
4. SET CUPOLA OVER CURB.
5. ATTACH CUPOLA USING FASTENERS PROVIDED.

OTHER:

AVAILABLE WITH WINDOWS OR LOUVERS.  
INCLUDES INSECT SCREEN OF COMPATIBLE MATERIAL ON LOUVER MODEL.