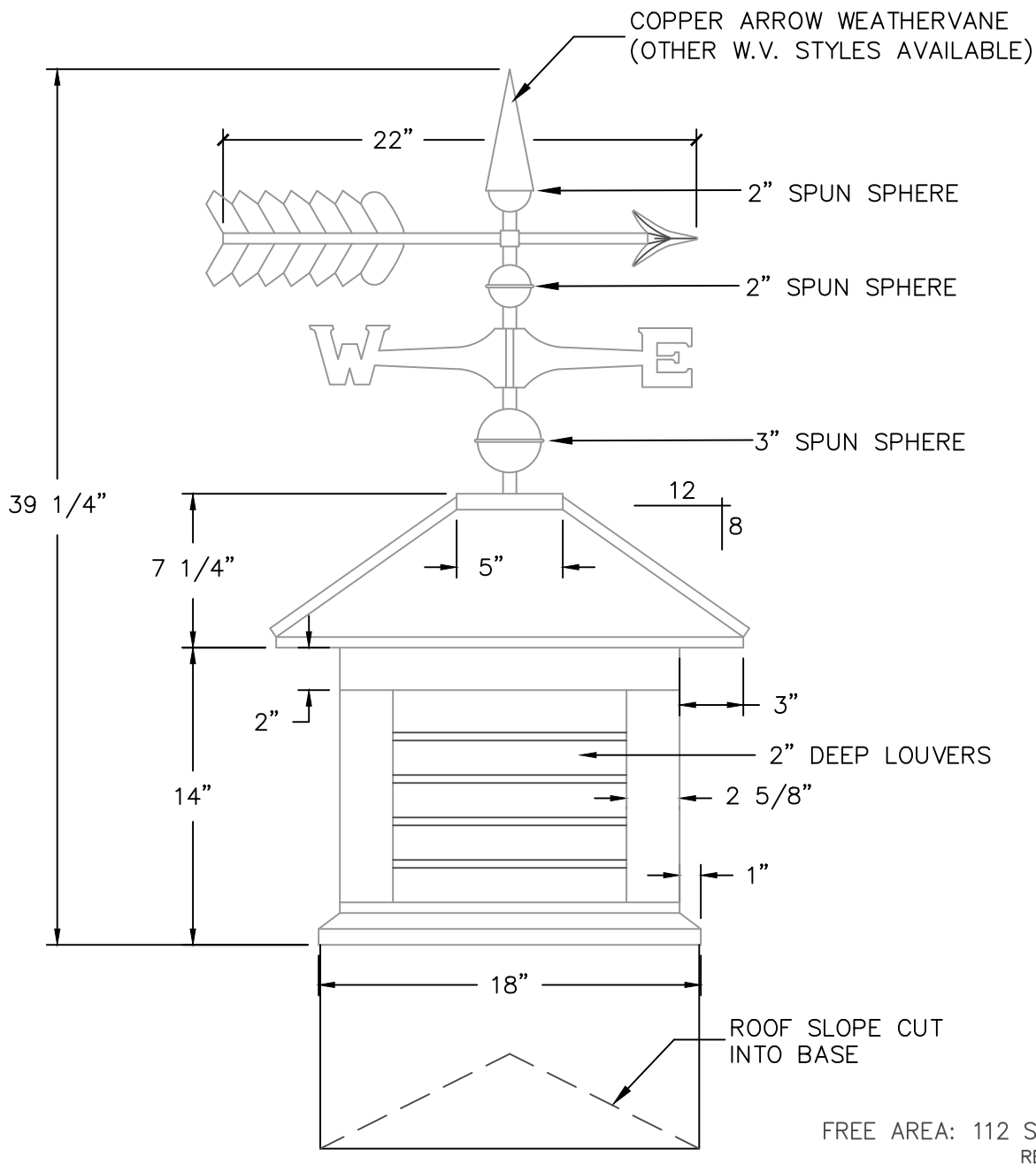


CUPOLA PIONEER



AVAILABLE MATERIALS:

COPPER FREEDOM GRAY COPPER PREWEATHERED ZINC PAINT GRIP STEEL

WEIGHT: VARIES DEPENDING ON ROOF CONDITION, ROOF SLOPE AND MATERIAL

INSTALLATION: 1. FRAME CURB TO ROOF DECK. 2. BUTT LAST ROOF COURSE TO CURB.
3. INSTALL BASE FLASHING PROVIDED (SOME FIELD CUTTING REQUIRED).
4. SET CUPOLA OVER CURB. 5. ATTACH CUPOLA USING FASTENERS PROVIDED.

ORDER INFORMATION: SPECIFY EXACT ROOF PITCH.

OTHER: AVAILABLE WITH WINDOWS OR LOUVERS.
INCLUDES INSECT SCREEN OF COMPATIBLE MATERIAL
ON LOUVER MODEL.