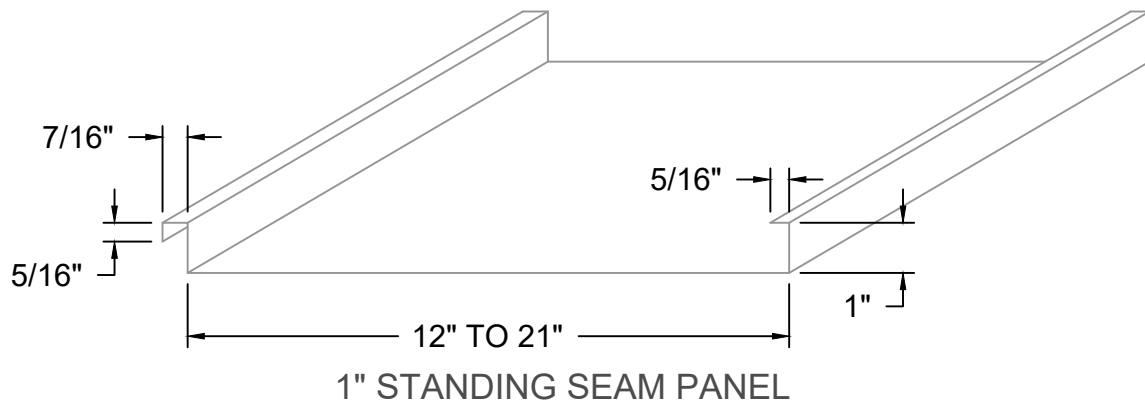
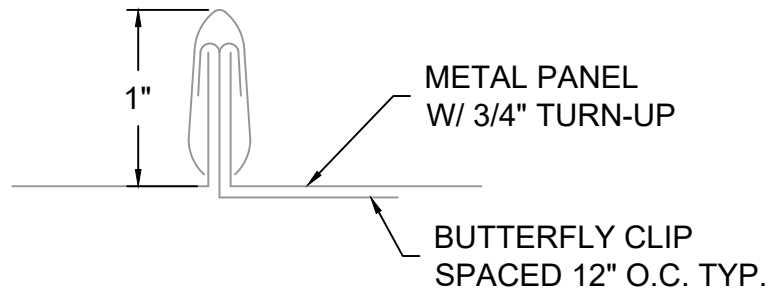


STANDING SEAM PANELS



STANDARD WIDTHS: 12", 15", 18" & 21" IN COPPER



1" BATTEN CAP PANEL PROFILE

AVAILABLE MATERIALS

REV. '24

COPPER FREEDOM GRAY COPPER PAINT GRIP STEEL PREWEATHERED ZINC
 PREFINISHED ALUMINUM/ STEEL GALVANIZED

NOTES: CAN BE CURVED – CONVEX ONLY FOR DBL5/CONVEX OR CONCAVE FOR BATTEN CAP.
 CLIPS FIGURES AT 12" ON CENTER TYPICAL.