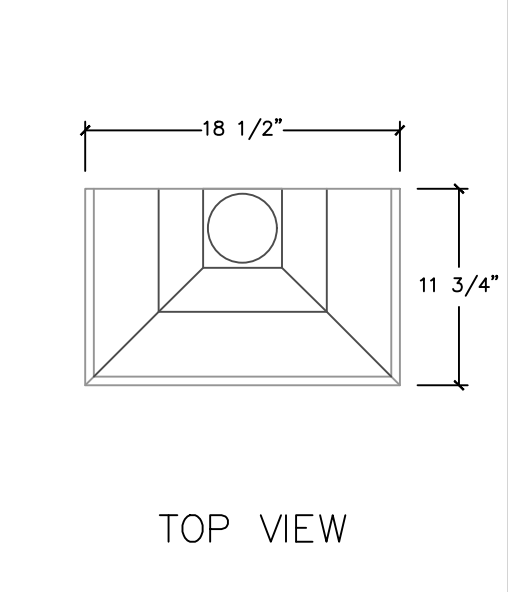
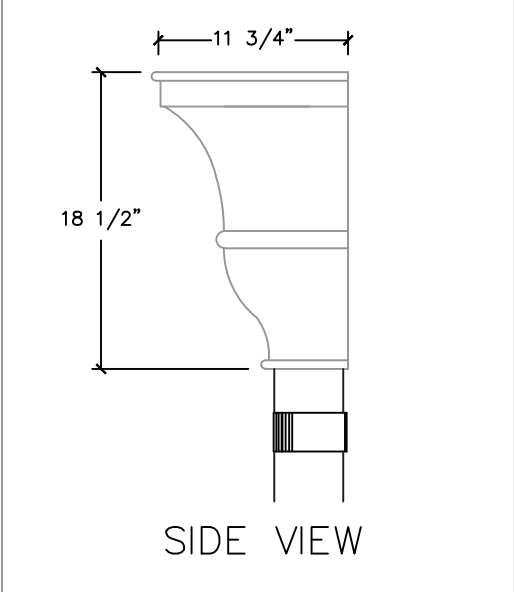
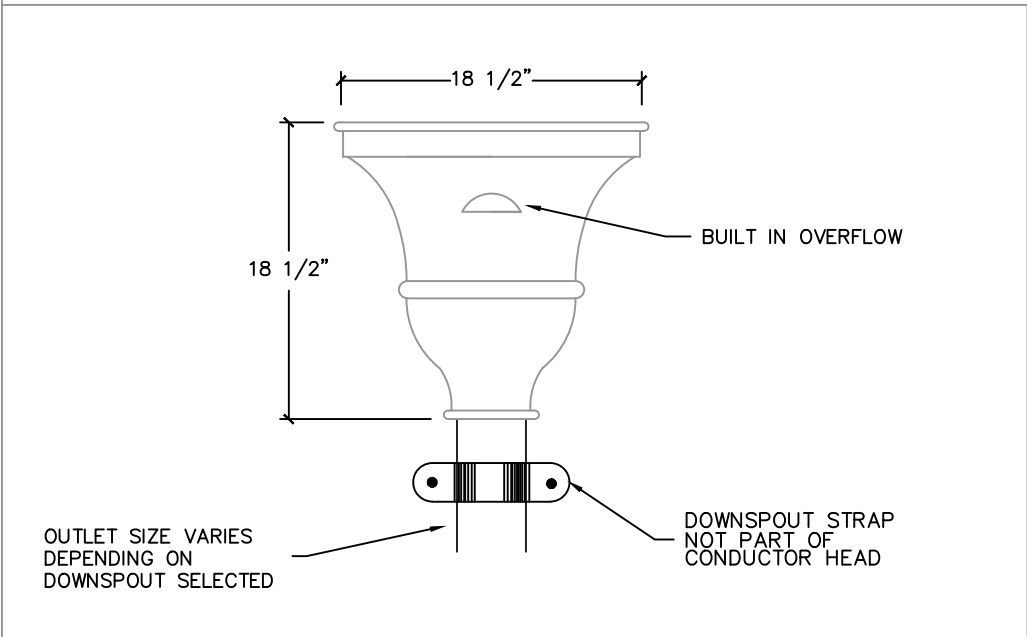


CONDUCTOR HEADS THE STRATFORD



AVAILABLE MATERIALS

COPPER	FREEDOM GRAY COPPER	PAINT GRIP STEEL	PREWEATHERED ZINC
MILL FINISHED ALUMINUM		GALVANIZED	

REV. '24