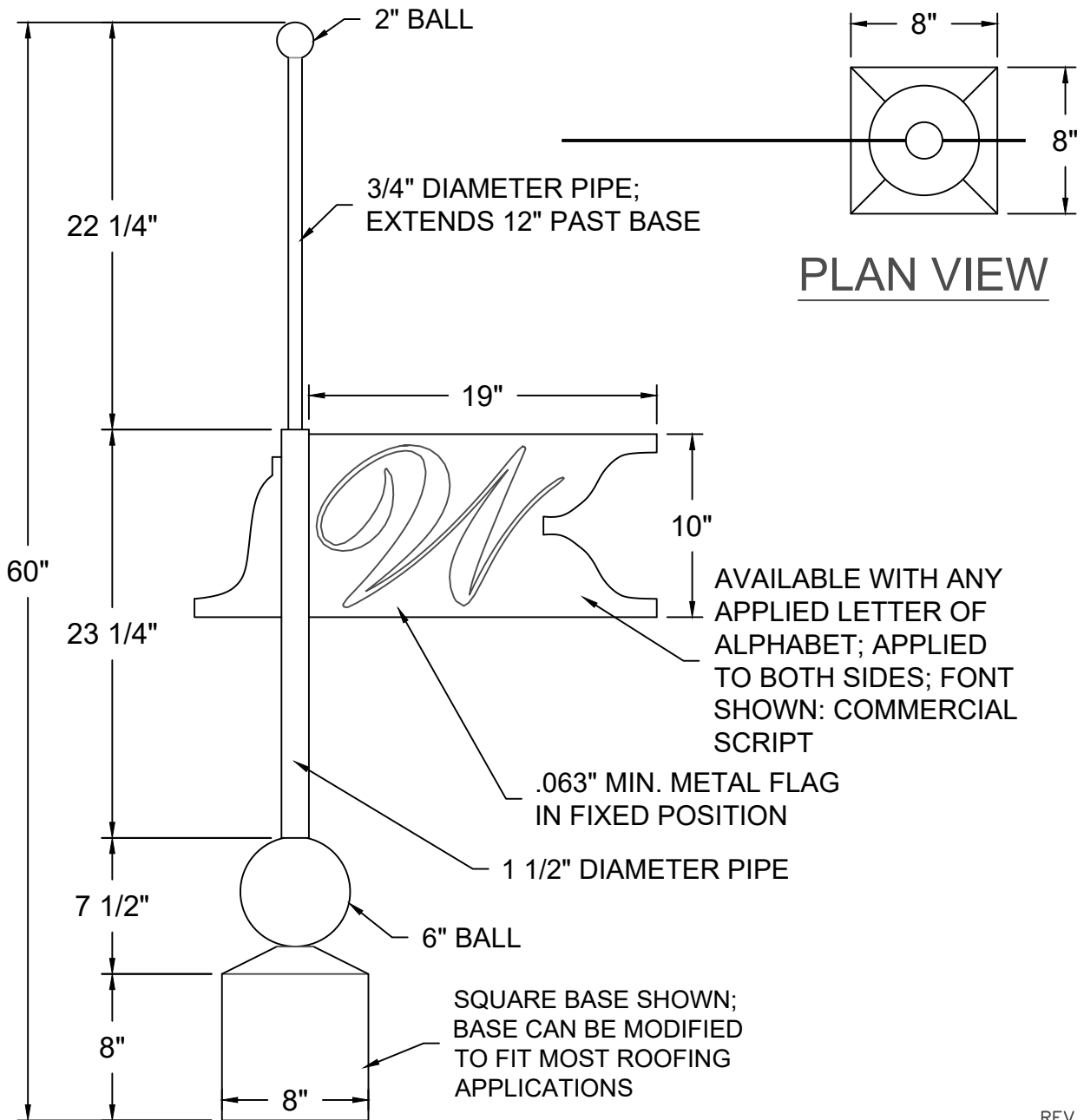


# SPIRE THE TAYLOR



REV. '24

## AVAILABLE MATERIALS:

COPPER

FREEDOM GRAY COPPER

MILL FINISH/ POST PAINTED ALUMINUM

WEIGHT: VARIES DEPENDING ON ROOF CONDITION, ROOF SLOPE AND MATERIAL

OTHER: PIPE TO EXTEND 12" PAST SPIRE.  
AVAILABLE WITH OTHER BASE OPTIONS FOR VARIOUS ROOF CONDITIONS.  
PROVIDE ROOF SLOPE.

INSTALLATION: SEAL THE MOUNTING BRACKET (PROVIDED) TO THE ROOF SURFACE FOR A WATERTIGHT INSTALLATION. SET SPIRE BASE OVER MOUNTING BRACKET AND ATTACH USING FASTENERS PROVIDED. SPECIFY ROOF SLOPE FOR BRACKETS.  
FASTEN PIPE TO STRUCTURE.

OPTIONS: AVAILABLE WITH LIGHTNING PROTECTION KIT. CONTINUE L.P. SYSTEM AS PER LOCAL CODE BY QUALIFIED LIGHTNING PROTECTION INSTALLERS.

**copper  
craft**  
A FLACK GLOBAL METALS COMPANY