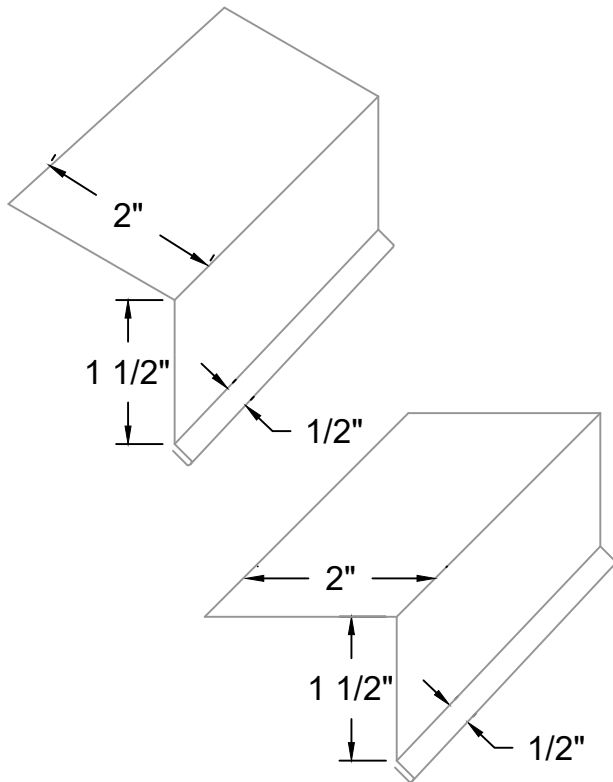
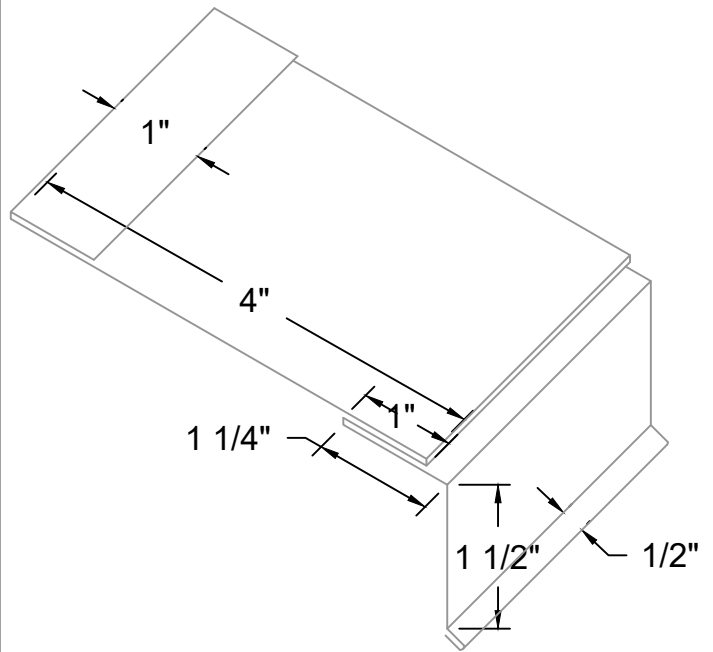


TRIM AND FLASHING

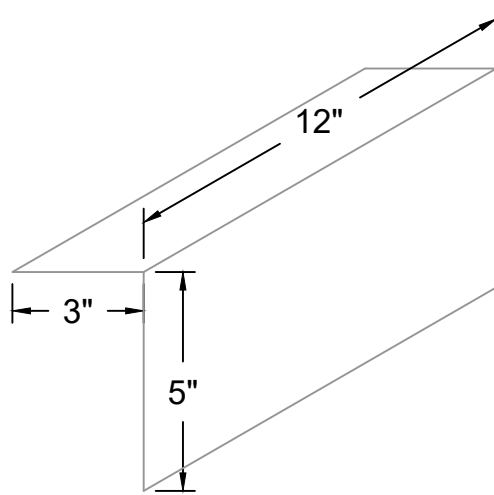
* EAVE/ RAKE TRIM



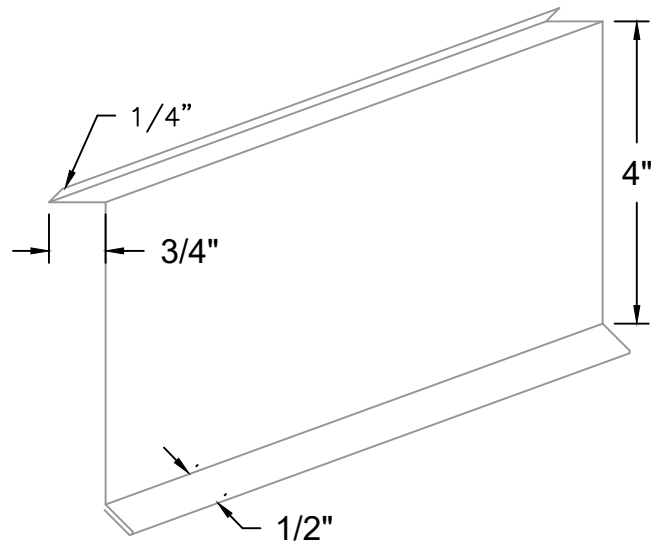
* DRIP EDGE FOR STANDING SEAM
(ALSO CALLED GUTTER APRON)



STANDARD BRICK STEP FLASHING
(ALSO CALLED L FLASHING)



STANDARD COUNTER FLASHING
(ALSO CALLED COVER/CAP FLASHING)



AVAILABLE MATERIALS:

COPPER FREEDOM GRAY COPPER PAINT GRIP STEEL PREWEATHERED ZINC
 PREFINISHED ALUMINUM/ STEEL GALVANIZED

REV. '24

* SPECIFY ROOF PITCH.
 AVAILABLE IN 10 FOOT LENGTH.