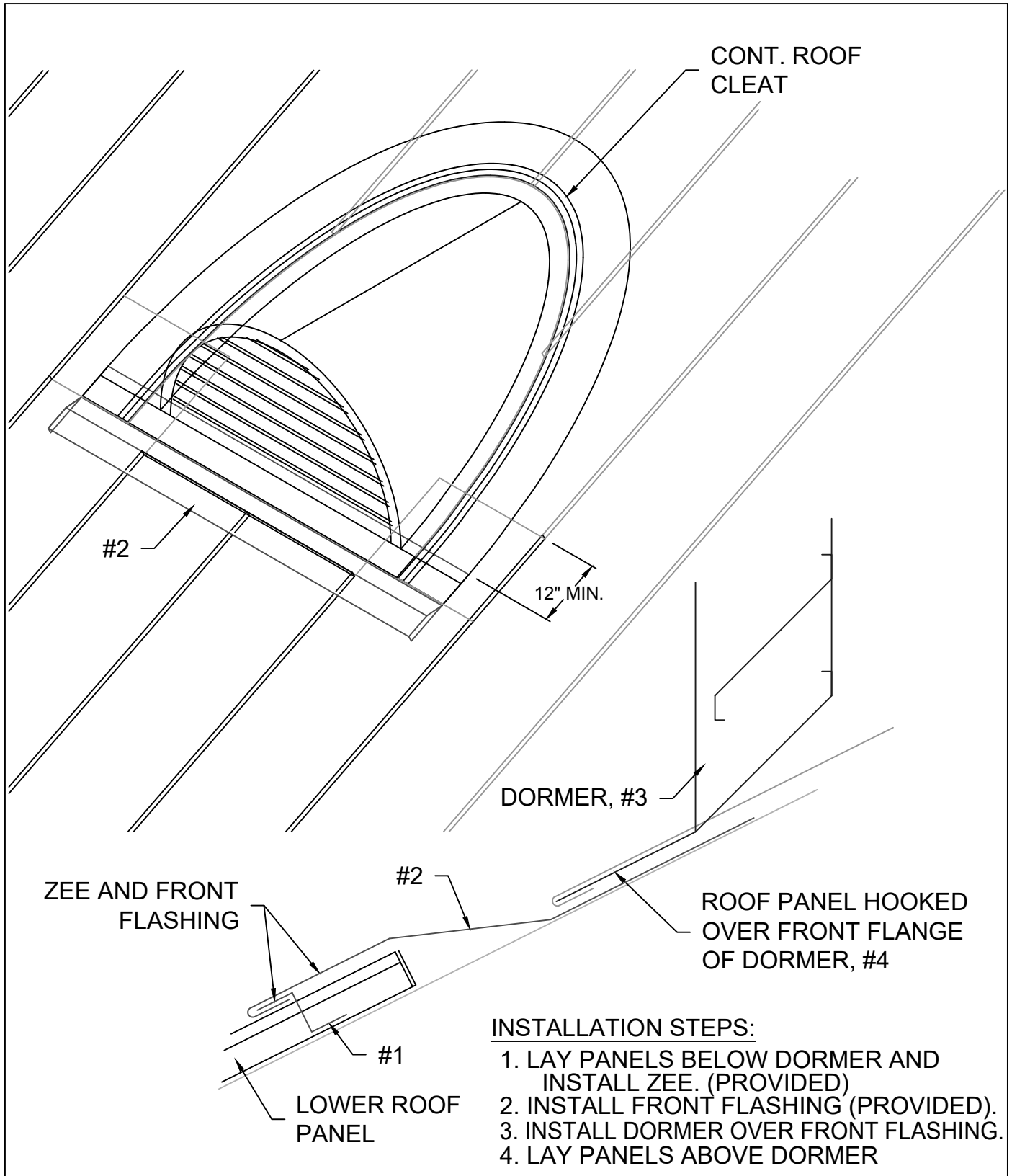


TYPICAL DORMER INSTALLATION FOR STANDING SEAM ROOF



*SPECIFY WHEN ORDERING FOR STANDING SEAM ROOFING.

*PROVIDE PANEL HEIGHT.

REV. 4/1/24