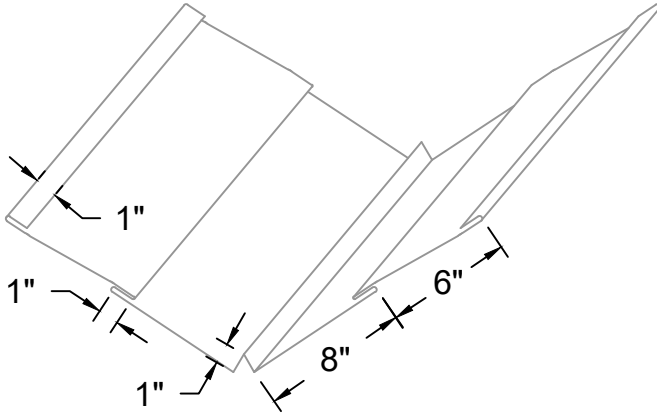
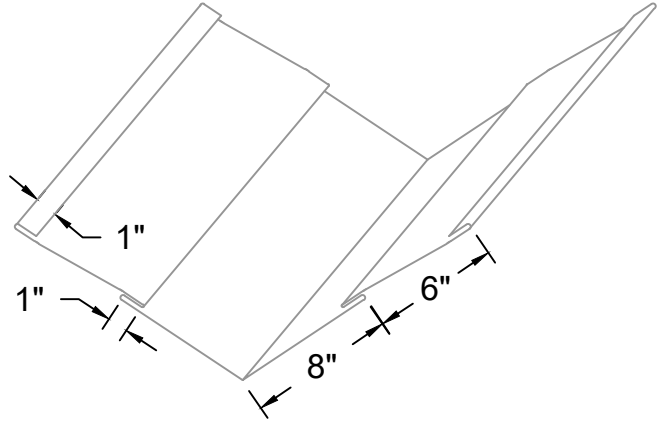


VALLEYS

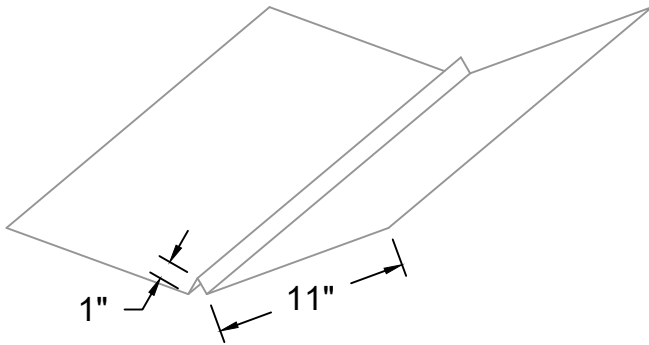
VALLEY FOR STANDING SEAM
WITH DIVERTER *



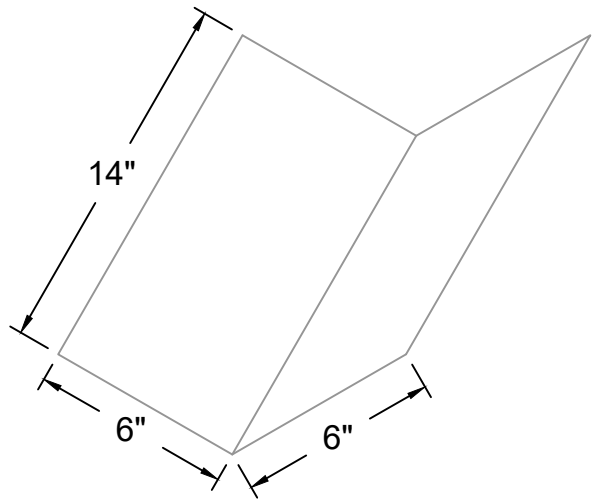
VALLEY FOR STANDING SEAM
WITHOUT DIVERTER *



VALLEY WITH DIVERTER *



LACED SLATE VALLEY



AVAILABLE MATERIALS

COPPER FREEDOM GRAY COPPER
PREFINISHED ALUMINUM/ STEEL

PAINT GRIP STEEL
GALVANIZED

PREWEATHERED ZINC

REV. '24

SPECIFY VALLEY ANGLE.
AVAILABLE IN 10 FOOT LENGTH.
*DIVERTER IS RECOMMENDED BUT OPTIONAL ON ALL VALLEY PROFILES